

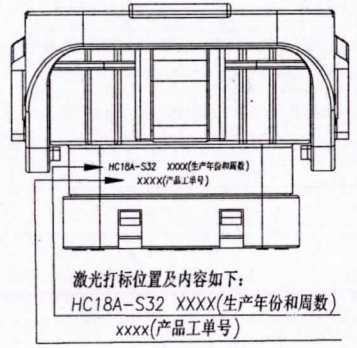
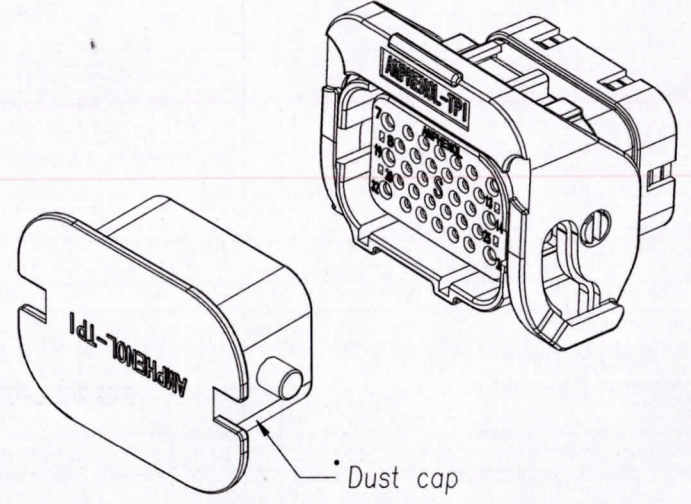
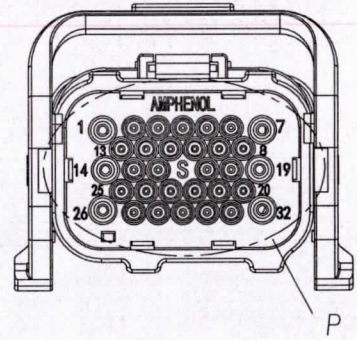
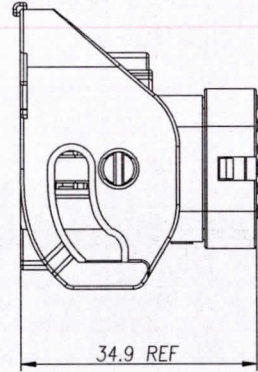
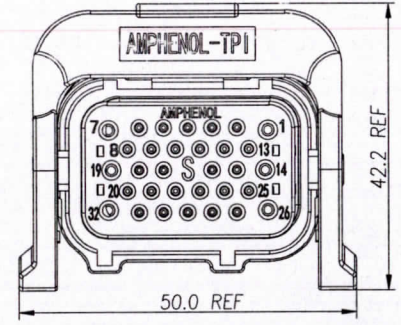
THIS DRAWING IS SUPPLIED FOR INFORMATION ONLY. DESIGN FEATURES, SPECIFICATIONS AND PERFORMANCE DATA SHOWN HEREON ARE THE PROPERTY OF THE AMPHENOL CORPORATION. NO RIGHTS OF REPRODUCTION ARE IMPLIED. ALL DIMENSIONS ARE SUBJECT TO NORMAL MANUFACTURING VARIATIONS.

Customer Drawing

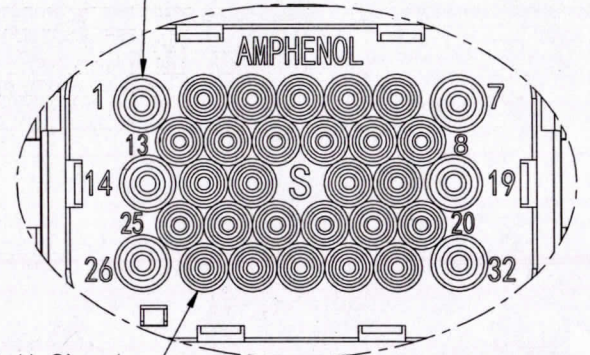
Amphenol TPI
2020-04-29
REGISTERED COPY

REVISIONS					
REV	ZONE	ECO	DESCRIPTION	DATE	BY APPR
A	---	---	INITIAL RELEASE	09/20/18	FL JL
B	---	---	Enhance IP Rating and Flame Class, add new applicable terminals	01/22/19	FL JL
C	---	---	Add plating type information of terminal and attention information	04/29/20	JS JL

A
B
C
D
E



适用端子型号 Used with terminal NO.						
端子种类 Terminal type	端子料号 Terminal P/N	电镀种类 Plating type	适合电线 Wire range	Wire OD range 电线外径范围	盲堵种类 Seal type	盲堵料号 Seal P/N
16# (Power)	HCTF21401	镍底镀金 Flash Gold	14 AWG	2.24~3.00mm	16# (Power)	AC-CP000383
	HCTF21504	镍底镀锡 Tin Plated	16~18 AWG			
	HCTF21601	镍底镀金 Flash Gold	16~18 AWG			
20# (Signal)	HCTF12001	镍底镀金 Flash Gold	20~22 AWG	1.35~2.50mm	20# (Signal)	AC-CP000382
	HCTF12104	镍底镀锡 Tin Plated	20~22 AWG			



注意: 镀金端子不能与镀锡端子互配。
Note: The gold-plated terminal cannot be matched with the tin-plated terminal.

规格参数 (Spec.):

- 工作温度 Operating Temperature: -40° C~+125° C.
- 额定电流 Current Rating: Power: 13 A MAX. Signal: 5 A MAX.
- 配对线径 Cable Size:
 - Power: 14~18 AWG.
 - Signal: 20~22 AWG.
- 耐电压 Dielectric Withstanding Voltage: 3000 VDC.
- 防护等级 Protection Class: IP68.
- 机械寿命 Mating Cycle: 100 Min.
- 对配插头见图纸 Mating plug see drawing: "HC08A-P32R"
- 防火等级 Flame Class: UL94V-0

订购信息 Ordering Information

HC18 A - S32

键位 Key
"A" orange

		Amphenol Technical Products International GZ				PART NAME: HC 32CXT Plug Straight Code A	
		第三角投影 THIRD ANGLE PROJECTION	页面 SHEET	幅面 SIZE	版次 REV.	比例 SCALE	DWG NO: HC18A-S32
签名 SIGNATURE	日期 DATE	UNLESS OTHERWISE SPECIFIED			CUST PART #: N/A		
制图 DRAWN	JS	1) All dimensions are in metric(mm).			CUST REV: -		
审核 CHECKED	04/29/20	2) Tolerances are as follows:					
批准 APPROVAL	04/29/20	0 PL DEC ±1.00 1 PL DEC ±0.50 2 PL DEC ±0.20					
		Angles ±1°					

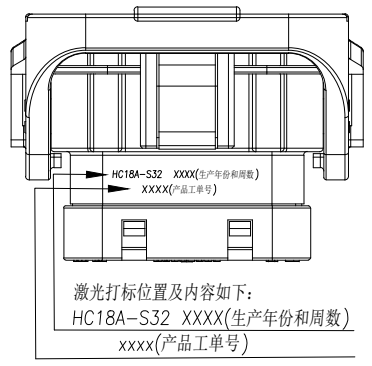
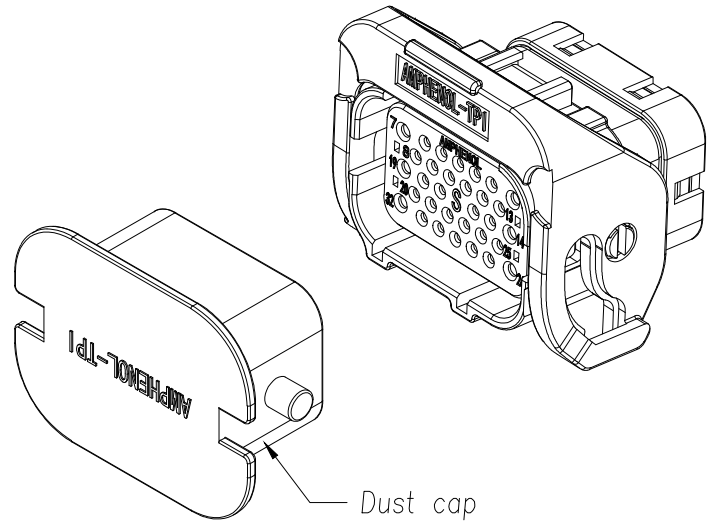
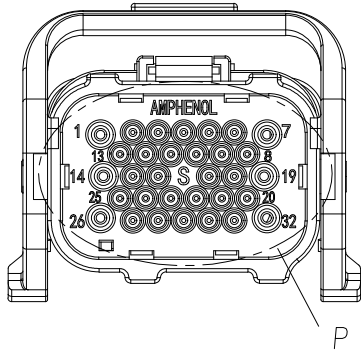
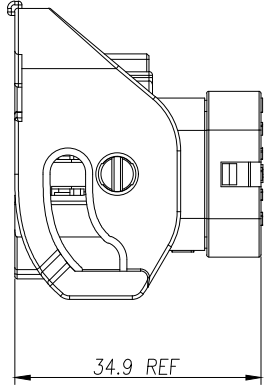
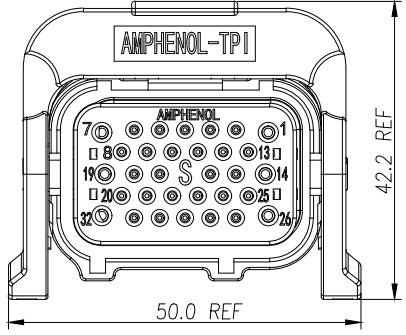
A
B
C
D
E
F

THIS DRAWING IS SUPPLIED FOR INFORMATION ONLY. DESIGN FEATURES, SPECIFICATIONS AND PERFORMANCE DATA SHOWN HEREON ARE THE PROPERTY OF THE AMPHENOL CORPORATION. NO RIGHTS OF REPRODUCTION ARE IMPLIED. ALL DIMENSIONS ARE SUBJECT TO NORMAL MANUFACTURING VARIATIONS.

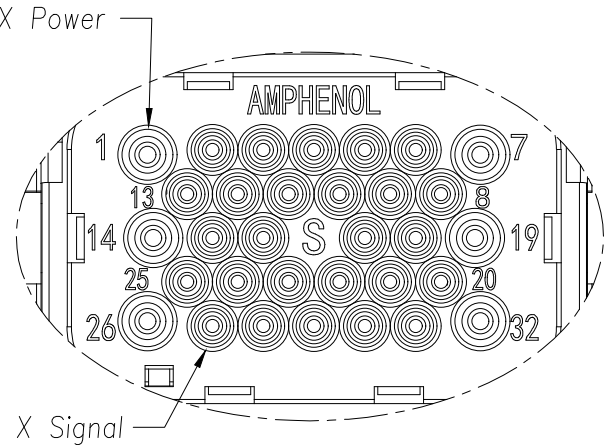
Customer Drawing

REVISONS						
REV	ZONE	ECO	DESCRIPTION	DATE	BY	APPR
A	--	--	INITIAL RELEASE	09/20/18	FL	JL
B	--	--	Enhance IP Rating and Flame Class,add new applicable terminals	01/22/19	FL	JL
C	--	--	Add plating type infomation of terminal and attention infomation	04/29/20	JS	JL

A
B
C
D
E
F



适用端子型号 Used with terminal NO.						
端子种类 Terminal type	端子料号 Terminal P/N	电镀种类 Plating type	适合电线 Wire range	Wire OD range 电线外径范围	盲堵种类 Seal type	盲堵料号 Seal P/N
16# (Power)	HCTF21401	镍底飘金 Flash Gold	14 AWG	2.24~3.00mm	16# (Power)	AC-CP000383
	HCTF21504	镍底镀锡 Tin Plated	16~18 AWG			
	HCTF21601	镍底飘金 Flash Gold				
20# (Signal)	HCTF12001	镍底飘金 Flash Gold	20~22 AWG	1.35~2.50mm	20# (Signal)	AC-CP000382
	HCTF12104	镍底镀锡 Tin Plated				



注意: 镀金端子不能与镀锡端子互配。
Note: The gold-plated terminal cannot be matched with the tin-plated terminal.

- 规格参数 (Spec.):
1. 工作温度 Operating Temperature: -40° C~+125° C.
 2. 额定电流 Current Rating: Power: 13 A MAX. Signal: 5 A MAX.
 3. 配对线径 Cable Size:
 - 3.1. Power: 14~18 AWG.
 - 3.2. Signal: 20~22 AWG.
 4. 耐电压 Dielectric Withstanding Voltage: 3000 VDC.
 5. 防护等级 Protection Class: IP68.
 6. 机械寿命 Mating Cycle: 100 Min.
 7. 对配插头见图纸 Mating plug see drawing: "HC08A-P32R"
 8. 防火等级 Flame Class: UL94V-0

订购信息 Ordering Information

HC18 A - S32

键位 Key
"A"orange

	Amphenol Technical Products International GZ				
	第三角投影 THIRD ANGLE PROJECTION	页面 SHEET	幅面 SIZE	版次 REV.	比例 SCALE
签名 SIGNATURE	日期 DATE	UNLESS OTHERWISE SPECIFIED			DWG NO: HC18A-S32
制图 DRAWN	JS	1) All dimensions are in metric(mm). 2) Tolerances are as follows:			CUST PART #: N/A
审核 CHECKED	YM	0 PL DEC ±1.00 1 PL DEC ±0.50 2 PL DEC ±0.20			CUST REV. -
批准 APPROVAL	JL	Angles ±1°			

1 2 3 4 5 6 7 8