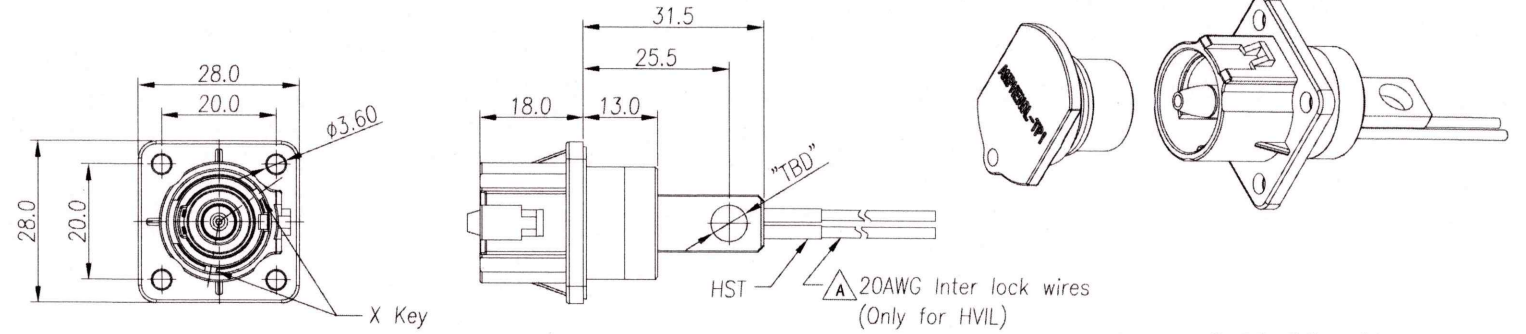


THIS DRAWING IS SUPPLIED FOR INFORMATION ONLY. DESIGN FEATURES, SPECIFICATIONS AND PERFORMANCE DATA SHOWN HEREON ARE THE PROPERTY OF THE AMPHENOL CORPORATION. NO RIGHTS OF REPRODUCTION ARE IMPLIED. ALL DIMENSIONS ARE SUBJECT TO NORMAL MANUFACTURING VARIATIONS.

Customer Drawing

Amphenol TPI
2022-01-20
REGISTERED COPY

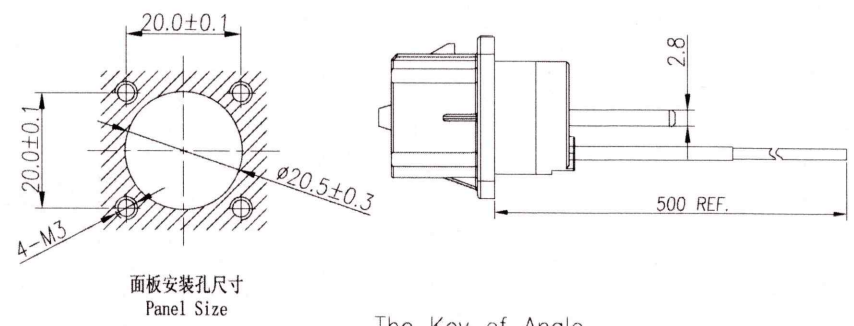
REV		ZONE		ECO		REVISIONS			
						DESCRIPTION	DATE	BY	APPR
A	---	---	---			Change HVIL Wire & Dust Cap, Update Spec.	03/31/16	RW	TS
B	---	---	---			Change Mating cycle	08/27/19	Steven	JL
C	---	---	---			Add requirements for mounting panels	01/19/22	DL	JL



Standard Part List

P/N	Model NO.	Polarization
AC-HA000469	PL00X-120-10D6	X
AC-HA000470	PL00Y-120-10D6	Y
AC-HA000471	PL00U-120-10D6	U
AC-HA000472	PL00V-120-10D6	V
AC-HA000473	PL00W-120-10D6	W
AC-HA000479	PL00X-120-10M6	X
AC-HA000480	PL00Y-120-10M6	Y
AC-HA000481	PL00U-120-10M6	U
AC-HA000482	PL00V-120-10M6	V
AC-HA000483	PL00W-120-10M6	W

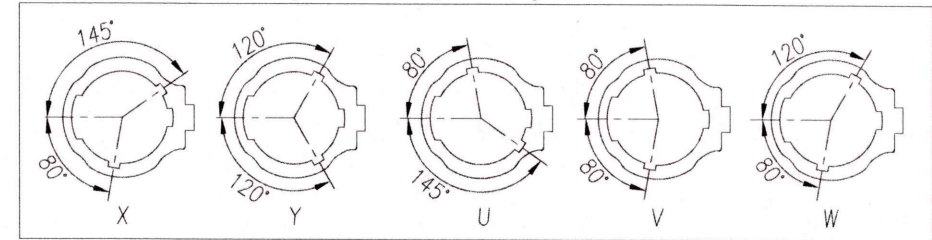
- Notices:
- All non-dimensioned surfaces according to 3D-model
 - Planeness of panel surface should be less than or equal to 0.1mm
 - Roughness of panel surface should be $R_{6.3}$ or better.
 - Thickness of panel should not exceed 7mm.



Standard Part List (With HVIL)

P/N	Model NO.	Polarization
AC-HA000305	PL00X-121-10D6	X
AC-HA000306	PL00Y-121-10D6	Y
AC-HA000307	PL00U-121-10D6	U
AC-HA000308	PL00V-121-10D6	V
AC-HA000309	PL00W-121-10D6	W
AC-HA000459	PL00X-121-10M6	X
AC-HA000460	PL00Y-121-10M6	Y
AC-HA000461	PL00U-121-10M6	U
AC-HA000462	PL00V-121-10M6	V
AC-HA000463	PL00W-121-10M6	W

- 规格参数 (Spec.):
- 工作温度 Operating temperature: $-40^{\circ}\text{C} \sim +125^{\circ}\text{C}$.
 - 带高压互锁 Electrical interlock (HVIL).
 - 额定电流 Current rating: Power: 120A; HVIL: 5A.
 - 额定电压 Operating voltage: Power: 1000 VDC; Signal: 60 VDC.
 - 耐电压 Dielectric withstanding voltage:
 - 与插头对插后, Pin与铁壳之间 After mating, between pin and metal shell :5000 VDC.
 - 与插头对插后, Pin与HVIL之间 After mating, between pin and HVIL :5000 VDC.
 - 与插头对插后, HVIL与铁壳之间 After mating, between HVIL and metal shell :500 VDC.
 - 与插头对插前, 两个HVIL端子之间耐压 Before mating, between two HVIL terminals :500 VDC.
 - 防护等级 Protection class: IP67 & IP2X.
 - 电磁屏蔽 Shielding.
 - 机械寿命 Mating cycle: 100 Min. $\triangle B$
 - 带自动二次锁扣 Automatic secondary lock.
 - 铜排推荐安装扭矩 Recommended Fasten Torque on Lug: M6 : 3.6~4.4 Nm
 - 推荐法兰盘螺丝安装扭矩 Recommended Screw Assembly Torque on Flange : 0.86±20% Nm



订购信息 Ordering Information

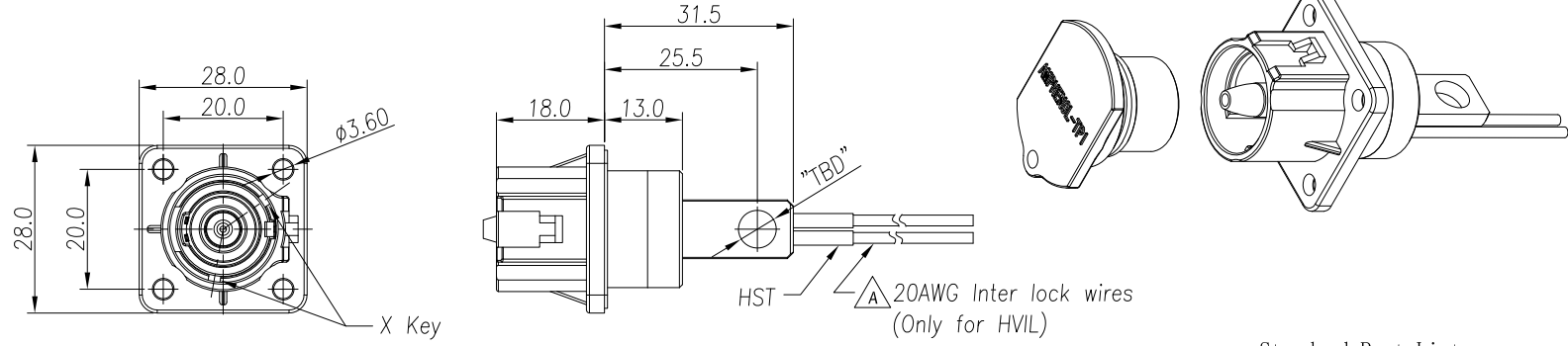
键位及颜色 Key & Color	高压互锁 HVIL	孔种类 Hole Type	联接螺栓 Bolt Size
"X", 橙色 Orange	0, 不带互锁 No HVIL	D, 通孔 Through Hole	Customer Define
"Y", 黑色 Black	1, 带互锁 With HVIL	M, 螺孔 Screw Hole	
"U", 黄色 Yellow			
"V", 绿色 Green			
"W", 红色 Red			

AMPHENOL TPI	Amphenol Technical Products International GZ				PART NAME: PwrLok 5.7mm 1POS Rcpt Lug	
	第三角投影 THIRD ANGLE PROJECTION	页面 SHEET	幅面 SIZE	版次 REV.	比例 SCALE	DWG NO: PL00-120-10
签名 SIGNATURE		日期 DATE		UNLESS OTHERWISE SPECIFIED		
制图 DRAWN		DL		1) All dimensions are in metric(mm).		
审核 CHECKED		01/19/22		2) Tolerances are as follows:		
批准 APPROVAL		JL		0 PL DEC ±1.00		
		2022-1-19		1 PL DEC ±0.50		
				PL DEC ±0.20		
				Angles ±1°		
				CUST PART # N/A		
				CUST REV. -		

THIS DRAWING IS SUPPLIED FOR INFORMATION ONLY. DESIGN FEATURES, SPECIFICATIONS AND PERFORMANCE DATA SHOWN HEREON ARE THE PROPERTY OF THE AMPHENOL CORPORATION. NO RIGHTS OF REPRODUCTION ARE IMPLIED. ALL DIMENSIONS ARE SUBJECT TO NORMAL MANUFACTURING VARIATIONS.

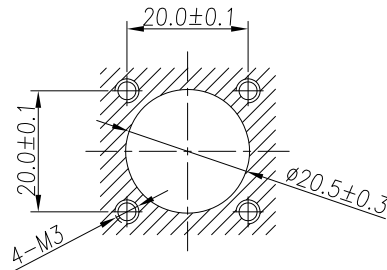
Customer Drawing

REVISIONS						
REV	ZONE	ECO	DESCRIPTION	DATE	BY	APPR
A	--	--	Change HVIL Wire & Dust Cap, Update Spec.	03/31/16	RW	TS
B	--	--	Change Mating cycle	08/27/19	Steven	JL
C	--	--	Add requirements for mounting panels	01/19/22	DL	JL

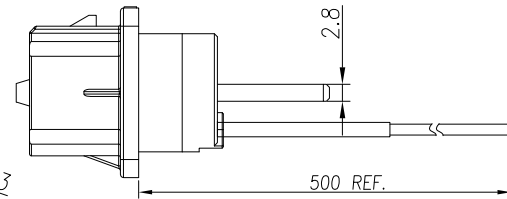


Notices:

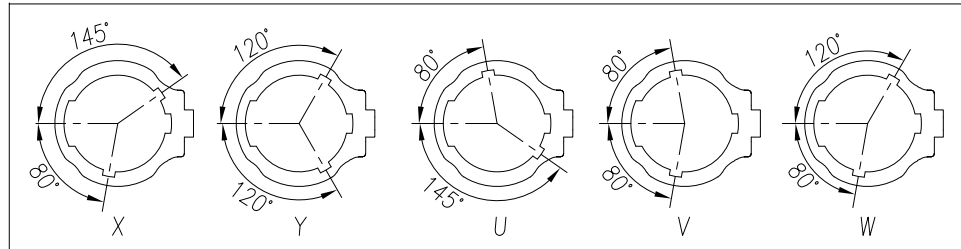
- All non-dimensioned surfaces according to 3D-model
- Planeness of panel surface should be less than or equal to 0.1mm
- Roughness of panel surface should be $6.3/\sqrt{\text{ }}$ or better.
- Thickness of panel should not exceed 7mm.



面板安装孔尺寸
Panel Size



The Key of Angle



Standard Part List

P/N	Model NO.	Polarization
AC-HA000469	PL00X-120-10D6	X
AC-HA000470	PL00Y-120-10D6	Y
AC-HA000471	PL00U-120-10D6	U
AC-HA000472	PL00V-120-10D6	V
AC-HA000473	PL00W-120-10D6	W
AC-HA000479	PL00X-120-10M6	X
AC-HA000480	PL00Y-120-10M6	Y
AC-HA000481	PL00U-120-10M6	U
AC-HA000482	PL00V-120-10M6	V
AC-HA000483	PL00W-120-10M6	W

Standard Part List (With HVIL)

P/N	Model NO.	Polarization
AC-HA000305	PL00X-121-10D6	X
AC-HA000306	PL00Y-121-10D6	Y
AC-HA000307	PL00U-121-10D6	U
AC-HA000308	PL00V-121-10D6	V
AC-HA000309	PL00W-121-10D6	W
AC-HA000459	PL00X-121-10M6	X
AC-HA000460	PL00Y-121-10M6	Y
AC-HA000461	PL00U-121-10M6	U
AC-HA000462	PL00V-121-10M6	V
AC-HA000463	PL00W-121-10M6	W

规格参数 (Spec.):

- 工作温度 Operating temperature: $-40^{\circ}\text{C} \sim +125^{\circ}\text{C}$.
- 带高压互锁 Electrical interlock (HVIL).
- 额定电流 Current rating: Power: 120A; HVIL: 5A.
- 额定电压 Operating voltage: Power: 1000 VDC; Signal: 60 VDC.
- 耐压 Dielectric withstanding voltage:
 - 与插头对插后, Pin与铁壳之间
After mating, between pin and metal shell :5000 VDC.
 - 与插头对插后, Pin与HVIL之间
After mating, between pin and HVIL :5000 VDC.
 - 与插头对插后, HVIL与铁壳之间
After mating, between HVIL and metal shell :500 VDC.
 - 与插头对插前, 两个HVIL端子之间耐压
Before mating, between two HVIL terminals :500 VDC.
- 防护等级 Protection class: IP67 & IP2X.
- 电磁屏蔽 Shielding.
- 机械寿命 Mating cycle: 100 Min. B
- 带自动二次锁扣 Automatic secondary lock.
- 铜排推荐安装扭矩 Recommended Fasten Torque on Lug: M6 : 3.6~4.4 Nm
- 推荐法兰盘螺丝安装扭矩 Recommended Screw Assembly Torque on Flange : $0.86 \pm 20\%$ Nm

订购信息 Ordering Information

PL00	X	-	12	0	-	10	D	6
键位及颜色 Key & Color		高压互锁 HVIL		孔种类 Hole Type		联接螺栓 Bolt Size		
"X", 橙色 Orange		0, 不带互锁 No HVIL		D, 通孔 Through Hole		Customer Define		
"Y", 黑色 Black		1, 带互锁 With HVIL		M, 螺孔 Screw Hole				
"U", 黄色 Yellow								
"V", 绿色 Green								
"W", 红色 Red								

Amphenol Technical Products International GZ

第三角投影 THIRD ANGLE PROJECTION	页面 SHEET	幅面 SIZE	版次 REV.	比例 SCALE	PART NAME: PwrLok 5.7mm 1POS Rept Lug
	1 of 1	A3	C	-	DWG NO: PL00-120-10
UNLESS OTHERWISE SPECIFIED		1) All dimensions are in metric (mm).			
2) Tolerances are as follows:		0 PL DEC ± 1.00			
		1 PL DEC ± 0.50			
		2 PL DEC ± 0.20			
Angles $\pm 1^{\circ}$		CUST PART #: N/A			
CUST REV. -					