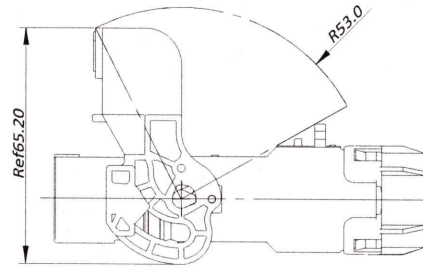
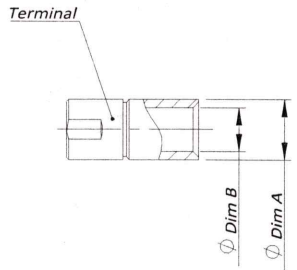
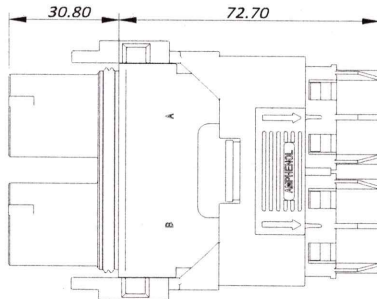
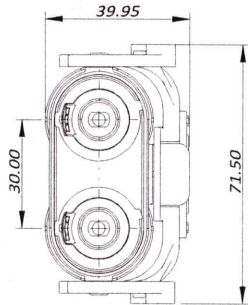
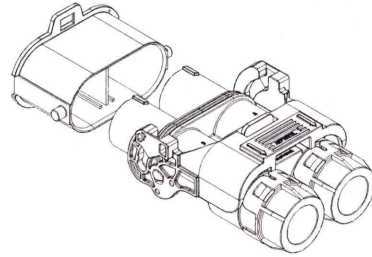


THIS DRAWING IS SUPPLIED FOR INFORMATION ONLY. DESIGN FEATURES, SPECIFICATIONS AND PERFORMANCE DATA SHOWN HEREON ARE THE PROPERTY OF THE AMPHENOL CORPORATION. NO RIGHTS OF REPRODUCTION ARE IMPLIED. ALL DIMENSIONS ARE SUBJECT TO NORMAL MANUFACTURING VARIATIONS.

CUSTOMER DRAWING

Amphenol TPI
2023-05-04
REGISTERED COPY



Standard Part List:

| Model No. | H+S Part No. | Dia. Primary Insulation(mm) | Dia. of Screen max. (mm) | Overall-Dia. Nominal(mm) | Outside-Dia. of terminal(mm): "A" | Inside-Dia. of terminal(mm): "B" |
|---------------------|--------------|-----------------------------|--------------------------|--------------------------|-----------------------------------|----------------------------------|
| PL182(X)-30X-70-2-5 | 84100298 | 13.7±0.3 | 14.6 | 17.0±0.3 | 16.7±0.3 | 12.2±0.3 |
| PL182(X)-30X-50-2-5 | 84096257 | 11.5±0.3 | 12.6 | 14.9±0.3 | 14.0±0.3 | 10.0±0.3 |

| REVISIONS | | | | | |
|-----------|------|--------------------------------------------|----------|-----------|------------|
| REV# | ECN# | REVISION ACTION | REV. BY: | APPR. BY: | DATE |
| A | -- | INITIAL RELEASE | JX | JL | 03/09/2020 |
| B | -- | Add new parts and Key U/V | Star | James | 10/13/2020 |
| C | -- | Add Protection Cap And Key W/T | Star | JL | 03/04/2021 |
| D | -- | Change the temperature of technical points | Star | JL | 12/03/2021 |
| E | -- | Change operating temperature, voltage | JS | JL | 08/09/2022 |
| F | -- | Change specification parameters | Hogan | JL | 03/21/2023 |

订购信息 Ordering Information

PL182 X - 30 1 - 70 - 2 -5

Key and Color
 "X", Orange
 "Y", Black
 "U", Yellow
 "V", Green
 "W", Red
 "T", Blue

HVIL
 "0", NO HVIL
 "1", With HVIL

Cable Size
 "70"=70mm²
 "50"=50mm²

Cable Type:
 "-5", Huber+Suhner

规格参数 (Spec.):

- 工作温度 Operating temperature : -40°C ~ +125°C. △ E
- 带高压互锁 Electrical interlock (HVIL).
- 额定电流 Current rating:
 Power: 50mm², 200A; 70mm², 250A; HVIL: 5A.
- 额定电压 Operating voltage:
 △ E Power: 1500 VDC; Signal: 60 VDC.
- 耐电压 Dielectric withstanding voltage:
 A. 与插座对插后, Pin与铁壳之间
 △ F When mated, between pin and metal shell: 8000 VDC.
 B. 与插座对插后, Pin与HVIL之间
 △ F When mated, between pin and HVIL: 8000 VDC.
 C. 与插座对插后, HVIL与铁壳之间
 △ F When mated, between HVIL and metal shell: 500 VDC.
 D. 与插座对插前, 两个HVIL端子之间耐压
 Before mating, between two HVIL terminals: 500 VDC.
- 防护等级 Protection class: Mated-IP6k9k & IP67, unmated-IP2X.
- 电磁屏蔽 360° full Shielding.
- 机械寿命 Mating cycle: 100 Min.
- 带CPA的插杆系统 Latch system with CPA.
- 绝缘材料满足UL94 V-0 The insulation material meets the requirements of UL94V-0. △ F △ D
- 镀锌/锌镍合金, 满足500H中性盐雾实验
 Gray Zinc/Nickel(ZnNi) Plating. Rated at 500hours salt spray.
- 产品满足RoHS和REACH要求. Parts must be RoHS and reach compliant. ▽ C
- 绝缘体为140° RTI材料. The insulators are 140° RTI material. △ E



Amphenol Technical Products International Asia.

| | | | | |
|------------------------------------|-------------|------------|------------|-------------|
| 第三角投影 THIRD ANGLE PROJECTION | 页面 SHEET | 幅面 SIZE | 版次 REV. | 比例 SCALE |
| | 1 OF 2 | A4 | F | -- |

PART NAME:
 PL300 G2 2POS Straight Plug

Key Characteristics Critical
 Contact 关键特性
 Amphenol for Latest Definition Significant 重要特性

签名 SIGNATURE: Hogan
 日期 DATE: 03/21/2023
 制图 DRAWN: Hogan
 审核 CHECKED: [Signature]
 批准 APPROVAL: [Signature]

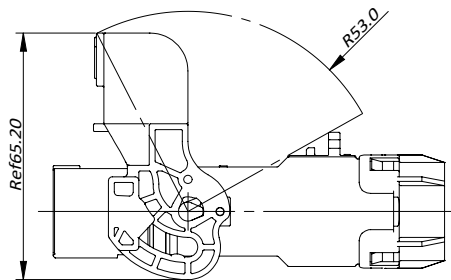
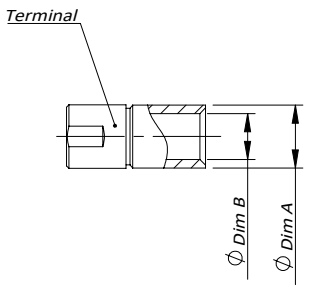
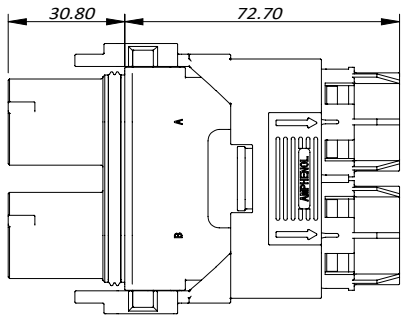
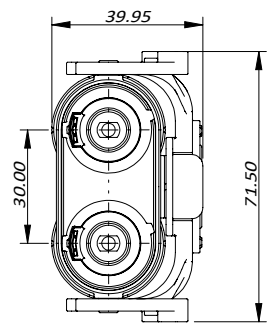
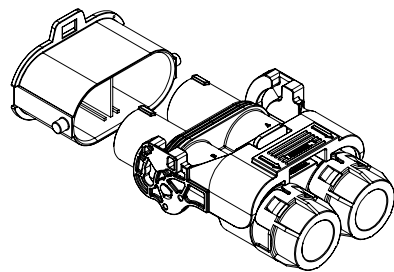
UNLESS OTHERWISE SPECIFIED
 1) All dimensions are in metric (mm).
 2) Tolerances are as follows:
 1. PL DEC ± 1.00
 2. PL DEC ± 0.50
 3. PL DEC ± 0.20
 Angles ± 1°

DWG NO:
 PL182X-30X-XX-2-5

CUST PART # **CUST REV.**

THIS DRAWING IS SUPPLIED FOR INFORMATION ONLY. DESIGN FEATURES, SPECIFICATIONS AND PERFORMANCE DATA SHOWN HEREON ARE THE PROPERTY OF THE AMPHENOL CORPORATION. NO RIGHTS OF REPRODUCTION ARE IMPLIED. ALL DIMENSIONS ARE SUBJECT TO NORMAL MANUFACTURING VARIATIONS.

CUSTOMER DRAWING



| REVISIONS | | | | | |
|-----------|------|--------------------------------------------|---------|----------|------------|
| REV# | ECN# | REVISION ACTION | REV.BY: | APPR.BY: | DATE |
| A | -- | INITIAL RELEASE | JX | JL | 03/09/2020 |
| B | -- | Add new parts and Key U/V | Star | James | 10/13/2020 |
| C | -- | Add Protection Cap And KeyW/T | Star | JL | 03/04/2021 |
| D | -- | Change the temperature of technical points | Star | JL | 12/03/2021 |
| E | -- | Change operating temperature, voltage | JS | JL | 08/09/2022 |
| F | -- | Change specification parameters | Hogan | JL | 03/21/2023 |

订购信息 Ordering Information

PL182 X - 30 1 - 70 - 2 -5

| | | | |
|---------------------------------------------------------------------------------------------------------|-----------------------------------------------|-----------------------------------------------|------------------------------------------|
| Key and Color "X", Orange "Y", Black "U", Yellow "V", Green "W", Red "T", Blue | HVIL "0", NO HVIL "1", With HVIL | Cable Size "70"=70mm2 "50"=50mm2 | Cable Type: "-5", Huber+Suhner |
|---------------------------------------------------------------------------------------------------------|-----------------------------------------------|-----------------------------------------------|------------------------------------------|

规格参数 (Spec.):

1. 工作温度 Operating temperature : -40°C ~ +125°C. △E
2. 带高压互锁 Electrical interlock (HVIL).
3. 额定电流 Current rating:
Power: 50mm², 200A; 70mm², 250A; HVIL: 5A.
4. 额定电压 Operating voltage:
Power: 1500 VDC; Signal: 60 VDC.
5. 耐电压 Dielectric withstanding voltage:
 - A. 与插座对插后, Pin与铁壳之间
When mated, between pin and metal shell: 8000 VDC.
 - B. 与插座对插后, Pin与HVIL之间
When mated, between pin and HVIL: 8000 VDC.
 - C. 与插座对插后, HVIL与铁壳之间
When mated, between HVIL and metal shell: 500 VDC.
 - D. 与插座对插前, 两个HVIL端子之间耐压
Before mating, between two HVIL terminals: 500 VDC.
6. 防护等级 Protection class: Mated-IP6k9k & IP67, unmated-IP2X.
7. 电磁屏蔽 360° full Shielding.
8. 机械寿命 Mating cycle: 100 Min.
9. 带CPA的摇杆系统 Latch system with CPA.
10. 绝缘材料满足UL94 V-0 The insulation material meets the requirements of UL94V-0. △C △F
11. 镀灰锌/锌镍合金, 满足500H中性盐雾实验
Gray Zinc/Nickel(ZnNi) Plating. Rated at 500hours salt spray.
12. 产品满足RoHS和REACH要求. Parts must be RoHS and reach compliant. ▽
13. 绝缘体为140°RTI材料. The insulators are 140° RTI material. △E

Standard Part List:

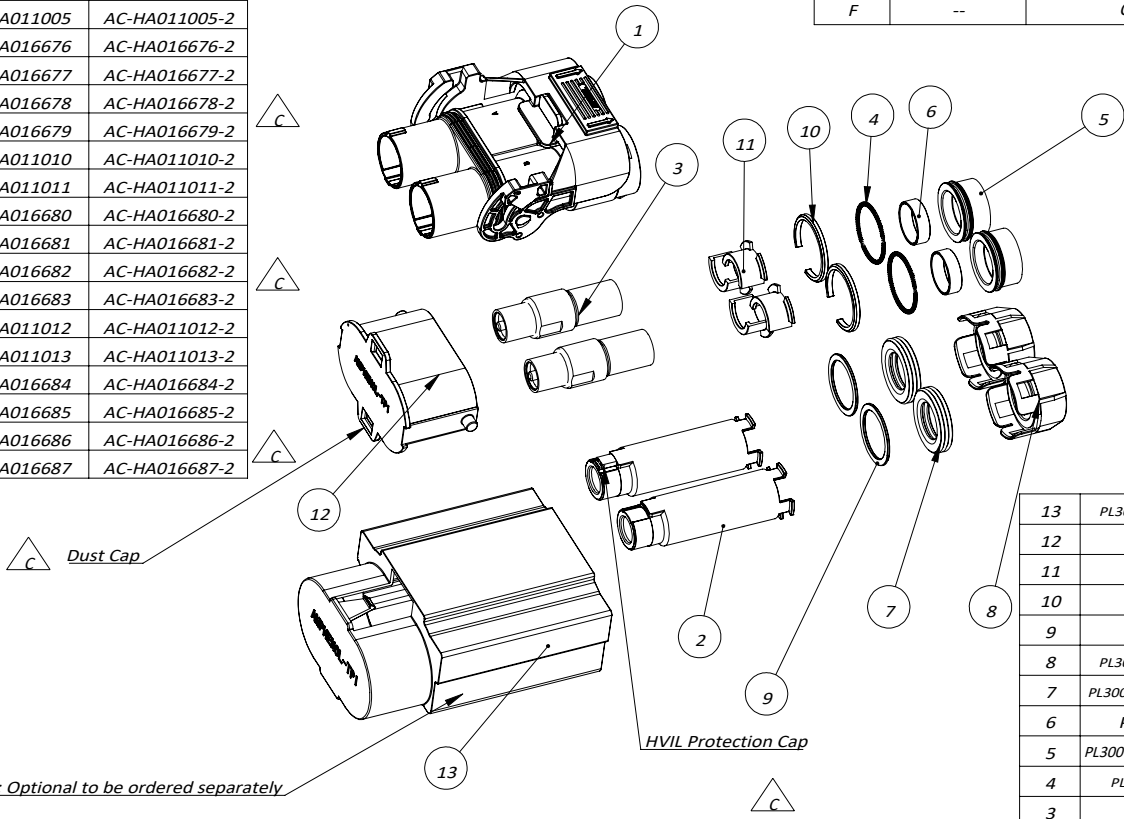
| Model No. | H+S Part No. | Dia. Primary Insulation (mm) | Dia. of Screen max. (mm) | Overall-Dia. Nominal (mm) | Outside-Dia. of terminal (mm): "A" | Inside-Dia. of terminal (mm): "B" |
|---------------------|--------------|------------------------------|--------------------------|---------------------------|------------------------------------|-----------------------------------|
| PL182(X)-30X-70-2-5 | 84100298 | 13.7±0.3 | 14.6 | 17.0±0.3 | 16.7±0.3 | 12.2±0.3 |
| PL182(X)-30X-50-2-5 | 84096257 | 11.5±0.3 | 12.6 | 14.9±0.3 | 14.0±0.3 | 10.0±0.3 |

Amphenol Technical Products International Asia.

| | | | | | | |
|-------------------------------------------------------------------------------------|-----------------------|-----------------------------------------------------------------------------------------------------------------------------------------------------------------------------|-----------------|-------------------|-------------------------------------------------------------------------------|--|
| 第三角投影 THIRD ANGLE PROJECTION | 页面 SHEET 1 OF 2 | 幅面 SIZE A4 | 版次 REV. F | 比例 SCALE -- | PART NAME: PL300 G2 2POS Straight Plug | |
| 签名 SIGNATURE 日期 DATE | | UNLESS OTHERWISE SPECIFIED 1) All dimensions are in metric (mm). 2) Tolerances are as follows: 1.PL DEC ± 1.00 2.PL DEC ± 0.50 3.PL DEC ± 0.20 Angles ±1° | | | DWG NO: PL182X-30X-XX-2-5 CUST PART # CUST REV. | |
| 制图 DRAWN 审核 CHECKED 批准 APPROVAL | | | | | | |
| Key Characteristics Critical 关键特性 Amphenol for Latest Definition Significant 重要性 | | 签名 SIGNATURE 日期 DATE 制图 DRAWN 审核 CHECKED 批准 APPROVAL | | | | |

THIS DRAWING IS SUPPLIED FOR INFORMATION ONLY. DESIGN FEATURES, SPECIFICATIONS AND PERFORMANCE DATA SHOWN HEREON ARE THE PROPERTY OF THE AMPHENOL CORPORATION. NO RIGHTS OF REPRODUCTION ARE IMPLIED. ALL DIMENSIONS ARE SUBJECT TO NORMAL MANUFACTURING VARIATIONS.

| 1 | 2 | 3 | 4 | 5 | 6 | 7 | 8 | |
|-------------------|-----------------|------------------|-----------|------|--------------------------------------------|---------|----------|------------|
| 型号 Model | Kit Package P/N | Bulk Package P/N | REVISIONS | | | | | |
| PL182X-300-50-2-5 | AC-HA011002 | AC-HA011002-2 | REV# | ECN# | REVISION ACTION | REV.BY: | APPR.BY: | DATE |
| PL182Y-300-50-2-5 | AC-HA011003 | AC-HA011003-2 | A | -- | INITIAL RELEASE | JX | JL | 03/09/2020 |
| PL182U-300-50-2-5 | AC-HA016672 | AC-HA016672-2 | B | -- | Add new parts and Key U/V | Star | James | 10/13/2020 |
| PL182V-300-50-2-5 | AC-HA016673 | AC-HA016673-2 | C | -- | Add Protection Cap And KeyW/T | Star | JL | 03/04/2021 |
| PL182W-300-50-2-5 | AC-HA016674 | AC-HA016674-2 | D | -- | Change the temperature of technical points | Star | JL | 12/03/2021 |
| PL182T-300-50-2-5 | AC-HA016675 | AC-HA016675-2 | E | -- | Change operating temperature, voltage | JS | JL | 08/09/2022 |
| PL182X-300-70-2-5 | AC-HA011004 | AC-HA011004-2 | F | -- | Change specification parameters | Hogan | JL | 03/21/2023 |
| PL182Y-300-70-2-5 | AC-HA011005 | AC-HA011005-2 | | | | | | |
| PL182U-300-70-2-5 | AC-HA016676 | AC-HA016676-2 | | | | | | |
| PL182V-300-70-2-5 | AC-HA016677 | AC-HA016677-2 | | | | | | |
| PL182W-300-70-2-5 | AC-HA016678 | AC-HA016678-2 | | | | | | |
| PL182T-300-70-2-5 | AC-HA016679 | AC-HA016679-2 | | | | | | |
| PL182X-301-50-2-5 | AC-HA011010 | AC-HA011010-2 | | | | | | |
| PL182Y-301-50-2-5 | AC-HA011011 | AC-HA011011-2 | | | | | | |
| PL182U-301-50-2-5 | AC-HA016680 | AC-HA016680-2 | | | | | | |
| PL182V-301-50-2-5 | AC-HA016681 | AC-HA016681-2 | | | | | | |
| PL182W-301-50-2-5 | AC-HA016682 | AC-HA016682-2 | | | | | | |
| PL182T-301-50-2-5 | AC-HA016683 | AC-HA016683-2 | | | | | | |
| PL182X-301-70-2-5 | AC-HA011012 | AC-HA011012-2 | | | | | | |
| PL182Y-301-70-2-5 | AC-HA011013 | AC-HA011013-2 | | | | | | |
| PL182U-301-70-2-5 | AC-HA016684 | AC-HA016684-2 | | | | | | |
| PL182V-301-70-2-5 | AC-HA016685 | AC-HA016685-2 | | | | | | |
| PL182W-301-70-2-5 | AC-HA016686 | AC-HA016686-2 | | | | | | |
| PL182T-301-70-2-5 | AC-HA016687 | AC-HA016687-2 | | | | | | |



| ITEM | DESCRIPTION | QTY | REMARK |
|------|----------------------------------------------|-----|-----------------------------------------------------------|
| 13 | PL300 G2 2 POS plug protection cap | 1 | Order P/N AC-CP001616 |
| 12 | PL300 G2 Dust Cap for Plug | 1 | |
| 11 | PL300 G2 Lock Housing1 | 4 | Different P/N are used according to different Cable sizes |
| 10 | PL300 G2 Lock Housing2 | 2 | |
| 9 | PL300 G2 Metal Gasket | 2 | Different P/N are used according to different Cable sizes |
| 8 | PL300 G2 Tail Cap for straight plug | 2 | Different P/N are used according to different Cable sizes |
| 7 | PL300 G2 cable sealing for straight plug | 2 | Different P/N are used according to different Cable sizes |
| 6 | PL300 G2 Inner Copper Ring | 2 | Different P/N are used according to different Cable sizes |
| 5 | PL300 G2 Outer Copper Ring for Straight Plug | 2 | |
| 4 | PL300 G2 Coil Spring for Straight Plug | 2 | Different P/N are used according to different Cable sizes |
| 3 | PL300 G2 Terminal Assy | 2 | |
| 2 | PL300 G2 Insulation Sleeve Assy | 2 | |
| 1 | PL300 G2 Shell Plug Assy | 1 | Different P/N are used according to different Cable sizes |
| ITEM | DESCRIPTION | QTY | REMARK |

Amphenol Technical Products International Asia.

| | | | | | | |
|------------------------------------|-------------|--------------------------------------------------------------------------------------------------------------------------------------------------------------|------------|-------------|--------------------------------------------------|-------------|
| 第三角投影 THIRD ANGLE PROJECTION | 页面 SHEET | 幅面 SIZE | 版次 REV. | 比例 SCALE | PART NAME: PL300 G2 2POS Straight Plug | |
| | 2 OF 2 | A4 | F | -- | DWG NO: PL182X-30X-XX-2-5 | |
| 签名 SIGNATURE | 日期 DATE | UNLESS OTHERWISE SPECIFIED 1) All dimensions are in metric(mm). 2) Tolerances are as follows: 1.PL DEC ± 1.00 2.PL DEC ± 0.50 3.PL DEC ± 0.20 | | | | CUST PART # |
| 制图 DRAWN Hogan | 03/21/2023 | Angles ±1° | | | | |
| 审核 CHECKED | 批准 APPROVAL | | | | | |

Key Characteristics Critical 关键特性
Amphenol for Latest Definition Significant 重要特性