

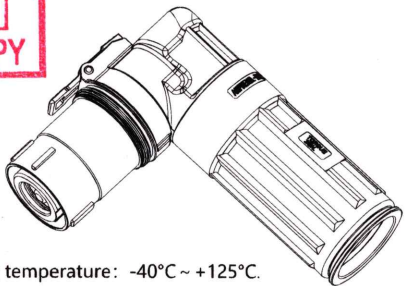
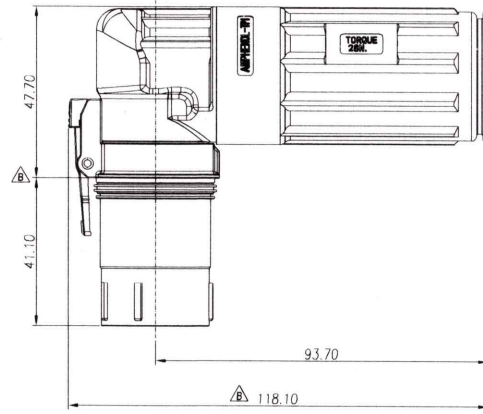
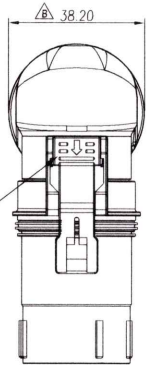
THIS DRAWING IS SUPPLIED FOR INFORMATION ONLY. DESIGN FEATURES, SPECIFICATIONS AND PERFORMANCE DATA SHOWN HEREIN ARE THE PROPERTY OF THE AMPHENOL CORPORATION. NO RIGHTS OF REPRODUCTION ARE IMPLIED. ALL DIMENSIONS ARE SUBJECT TO NORMAL MANUFACTURING VARIATIONS.

REVISIONS						
REV	ZONE	ECO	DESCRIPTION	DATE	BY	APPR
A	---	---	INITIAL RELEASE	11/22/22	Allen	JL
B	---	---	Update dimension	05/30/23	Allen	JL

Customer Drawing

按键颜色见“订购信息”
The color of press key see
"Ordering Information"

Amphenol TPI
2023-06-01
REGISTERED COPY

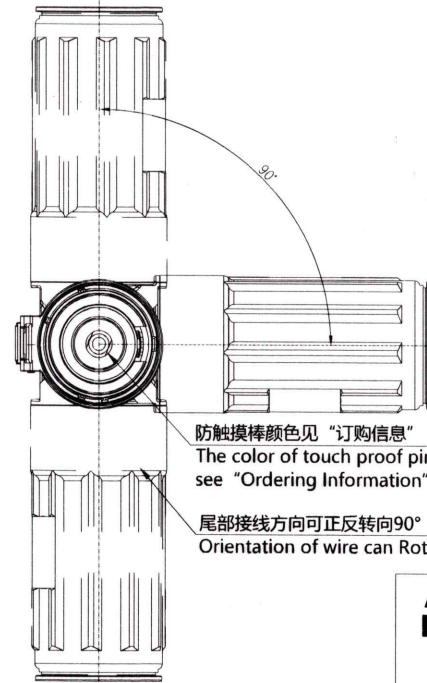


规格参数(Spec.):

- 工作温度 Operating temperature: -40°C ~ +125°C.
- 额定电流 Current rating(Connector Only):
150mm²-500A. 120mm²-400A. 95mm²-300A. 70mm²-250A
- 额定电压 Operating voltage:1000 VDC.
- 耐电压 Dielectric withstanding voltage: 5000 VDC.
- 防护等级 Protection class:IP67(Mating) & IP2X.
- 电磁屏蔽 Shielding.
- 机械寿命 Mating cycle:100 Min.
- 带自动二次锁扣 Automatic secondary lock.
- 带高压互锁 Electrical interlock (HVIL).
- 尾部接线方向可正反转向90° Rotate function of wire.

备注(Note):

- 对应插座请参照图纸: PL00-500.
Mating Rcpt. refer to drawing: PL00-500.
- 安装前请阅读“组装式插头安装规范”
Pls read "connector assemble specification"
before assembling.



订购信息 Ordering Information

PL28 X - 50 1 - 150 - 5

键位及颜色 Key & Color	高压互锁 HVIL	线缆大小 Cable Size	线缆类型 Cable type
"X", 橙色 Orange	0,不带互锁 No HVIL	"150"=150mm ²	5=HS Cable
"Y", 黑色 Black	1,带互锁 With HVIL	"120"=120mm ²	
"U", 黄色 Yellow		"95"=95mm ²	
"V", 绿色 Green		"70"=70mm ²	
"W", 红色 Red			

Standard Part List (With HVIL)

P/N	Model NO.	Cable OD
EX-HA006623	PL28X-501-150-5	24.9±0.5
EX-HA006624	PL28Y-501-150-5	
EX-HA006625	PL28U-501-150-5	
EX-HA006626	PL28V-501-150-5	
EX-HA006627	PL28W-501-150-5	
EX-HA006628	PL28X-501-120-5	22.6±0.4
EX-HA006629	PL28U-501-120-5	
EX-HA006630	PL28U-501-120-5	
EX-HA006631	PL28V-501-120-5	
EX-HA006632	PL28W-501-120-5	
EX-HA006633	PL28X-501-95-5	19.9±0.4
EX-HA006634	PL28Y-501-95-5	
EX-HA006635	PL28U-501-95-5	
EX-HA006636	PL28V-501-95-5	
EX-HA006637	PL28W-501-95-5	
EX-HA006638	PL28X-501-70-5	17.0±0.3
EX-HA006639	PL28Y-501-70-5	
EX-HA006640	PL28U-501-70-5	
EX-HA006641	PL28V-501-70-5	
EX-HA006642	PL28W-501-70-5	

Standard Part List (Without HVIL)

P/N	Model NO.	Cable OD
EX-HA006677	PL28X-500-150-5	24.9±0.5
EX-HA006678	PL28Y-500-150-5	
EX-HA006679	PL28U-500-150-5	
EX-HA006680	PL28V-500-150-5	
EX-HA006681	PL28W-500-150-5	
EX-HA006682	PL28X-500-120-5	22.6±0.4
EX-HA006683	PL28Y-500-120-5	
EX-HA006684	PL28U-500-120-5	
EX-HA006685	PL28V-500-120-5	
EX-HA006686	PL28W-500-120-5	
EX-HA006687	PL28X-500-95-5	19.9±0.4
EX-HA006688	PL28Y-500-95-5	
EX-HA006689	PL28U-500-95-5	
EX-HA006690	PL28V-500-95-5	
EX-HA006691	PL28W-500-95-5	
EX-HA006692	PL28X-500-70-5	17.0±0.3
EX-HA006693	PL28Y-500-70-5	
EX-HA006694	PL28U-500-70-5	
EX-HA006695	PL28V-500-70-5	
EX-HA006696	PL28W-500-70-5	

AMPHENOL TPI Amphenol Technical Products International Asia.

第三角投影 THIRD ANGLE PROJECTION	页面 SHEET	幅面 SIZE	版次 REV	比例 SCALE	PART NAME: PowerLok 14mm-90 Plug Conn
1 of 1	A3	B			DWG NO: PL28X-501-150-5
UNLESS OTHERWISE SPECIFIED	1) All dimensions are in metric(mm). 2) Tolerances are as follows: 0 PL DEC ±1.00 1 PL DEC ±0.50 2 PL DEC ±0.20				CUST PART #: N/A
Angles ±1°	CUST REV: -				

Key Characteristics Contact Amphenol for Latest Definition	Critical 关键特性	Significant 重要特性
签名 SIGNATURE	日期 DATE	审核 CHECKED
制图 DRAWN	批准 APPROVAL	

Allen 05/30/23
JLG 05/31/2023
Jain 2023.5.21

THIS DRAWING IS SUPPLIED FOR INFORMATION ONLY. DESIGN FEATURES, SPECIFICATIONS AND PERFORMANCE DATA SHOWN HEREON ARE THE PROPERTY OF THE AMPHENOL CORPORATION. NO RIGHTS OF REPRODUCTION ARE IMPLIED. ALL DIMENSIONS ARE SUBJECT TO NORMAL MANUFACTURING VARIATIONS.

REV. NO.		REVISIONS				
REV	ZONE	ECO	DESCRIPTION	DATE	BY	APPR
A	--	--	INITIAL RELEASE	11/22/22	Allen	JL
B	--	--	Update dimension	05/30/23	Allen	JL

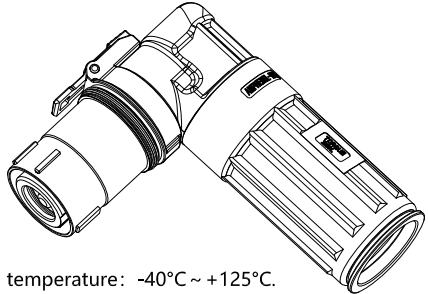
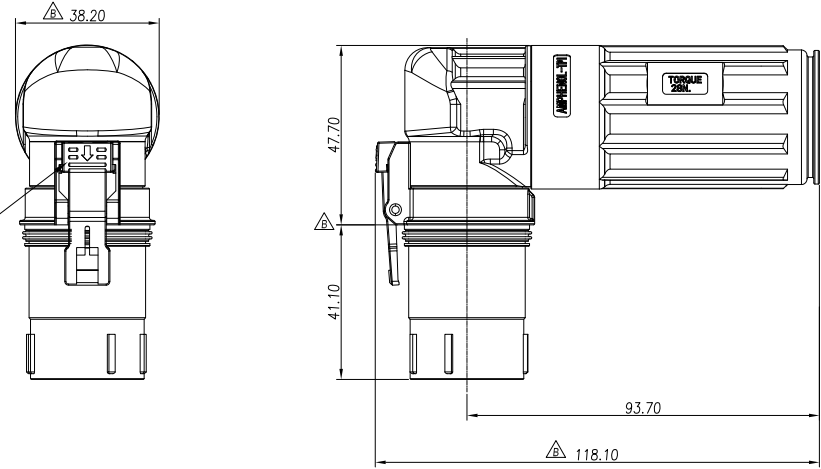
订购信息 Ordering Information

PL28 X - 50 1 - 150 - 5

键位及颜色 Key & Color	高压互锁 HVIL	线缆大小 Cable Size	线缆类型 Cable type
"X", 橙色 Orange "Y", 黑色 Black "U", 黄色 Yellow "V", 绿色 Green "W", 红色 Red	0, 不带互锁 No HVIL 1, 带互锁 With HVIL	"150"=150mm ² "120"=120mm ² "95"=95mm ² "70"=70mm ²	5=HS Cable

Customer Drawing

按键颜色见“订购信息”
The color of press key see
"Ordering Information"

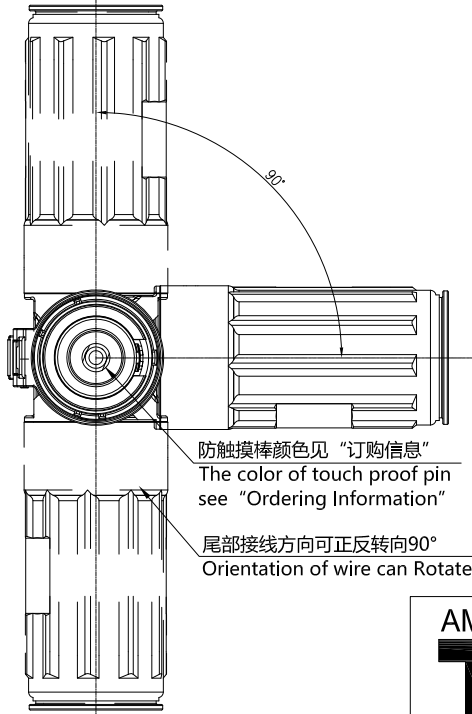


规格参数(Spec.):

- 1.工作温度 Operating temperature: -40°C ~ +125°C.
- 2.额定电流 Current rating(Connector Only):
150mm²-500A. 120mm²-400A. 95mm² -300A. 70mm²-250A
- 3.额定电压 Operating voltage:1000 VDC.
- 4.耐电压 Dielectric withstanding voltage: 5000 VDC.
- 5.防护等级 Protection class:IP67(Mating) & IP2X.
- 6.电磁屏蔽 Shielding.
- 7.机械寿命 Mating cycle:100 Min.
- 8.带自动二次锁扣 Automatic secondary lock.
- 9.带高压互锁 Electrical interlock (HVIL).
- 10.尾部接线方向可正反转向90° Rotate function of wire.

备注(Note):

- 1、对应插座请参照图纸: PL00-500.
Mating Rcpt. refer to drawing: PL00-500.
- 2、安装前请阅读“组装式插头安装规范”。
Pls read "connector assemble specification"
before assembling.



防触摸棒颜色见“订购信息”
The color of touch proof pin see
"Ordering Information"

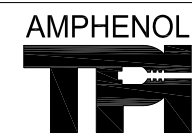
尾部接线方向可正反转向90°
Orientation of wire can Rotate 90 Degrees

Standard Part List (With HVIL)

P/N	Model NO.	Cable OD
EX-HA006623	PL28X-501-150-5	24.9±0.5
EX-HA006624	PL28Y-501-150-5	
EX-HA006625	PL28U-501-150-5	
EX-HA006626	PL28V-501-150-5	
EX-HA006627	PL28W-501-150-5	
EX-HA006628	PL28X-501-120-5	22.6±0.4
EX-HA006629	PL28Y-501-120-5	
EX-HA006630	PL28U-501-120-5	
EX-HA006631	PL28V-501-120-5	
EX-HA006632	PL28W-501-120-5	
EX-HA006633	PL28X-501-95-5	19.9±0.4
EX-HA006634	PL28Y-501-95-5	
EX-HA006635	PL28U-501-95-5	
EX-HA006636	PL28V-501-95-5	
EX-HA006637	PL28W-501-95-5	
EX-HA006638	PL28X-501-70-5	17.0±0.3
EX-HA006639	PL28Y-501-70-5	
EX-HA006640	PL28U-501-70-5	
EX-HA006641	PL28V-501-70-5	
EX-HA006642	PL28W-501-70-5	

Standard Part List (Without HVIL)

P/N	Model NO.	Cable OD
EX-HA006677	PL28X-500-150-5	24.9±0.5
EX-HA006678	PL28Y-500-150-5	
EX-HA006679	PL28U-500-150-5	
EX-HA006680	PL28V-500-150-5	
EX-HA006681	PL28W-500-150-5	
EX-HA006682	PL28X-500-120-5	22.6±0.4
EX-HA006683	PL28Y-500-120-5	
EX-HA006684	PL28U-500-120-5	
EX-HA006685	PL28V-500-120-5	
EX-HA006686	PL28W-500-120-5	
EX-HA006687	PL28X-500-95-5	19.9±0.4
EX-HA006688	PL28Y-500-95-5	
EX-HA006689	PL28U-500-95-5	
EX-HA006690	PL28V-500-95-5	
EX-HA006691	PL28W-500-95-5	
EX-HA006692	PL28X-500-70-5	17.0±0.3
EX-HA006693	PL28Y-500-70-5	
EX-HA006694	PL28U-500-70-5	
EX-HA006695	PL28V-500-70-5	
EX-HA006696	PL28W-500-70-5	



Amphenol Technical Products International Asia.

第三角投影 THIRD ANGLE PROJECTION	页面 SHEET	幅面 SIZE	版次 REV.	比例 SCALE	PART NAME: PowerLok 14mm-90 Plug Conn
1 of 1	A3	B	-	-	DWG NO: PL28X-501-150-5
UNLESS OTHERWISE SPECIFIED 1) All dimensions are in metric(mm). 2) Tolerances are as follows: 0 PL DEC ±1.00 1 PL DEC ±0.50 2 PL DEC ±0.20					CUST PART #: N/A
Angles ±1°					CUST REV. -

Key Characteristics Amphenol for Latest Definition	签名 SIGNATURE Allen	日期 DATE 05/30/23	制图 DRAWN Allen	审核 CHECKED	批准 APPROVAL
---	-----------------------	---------------------	-------------------	------------	-------------

△Critical 关键特性
▽Significant 重要特性