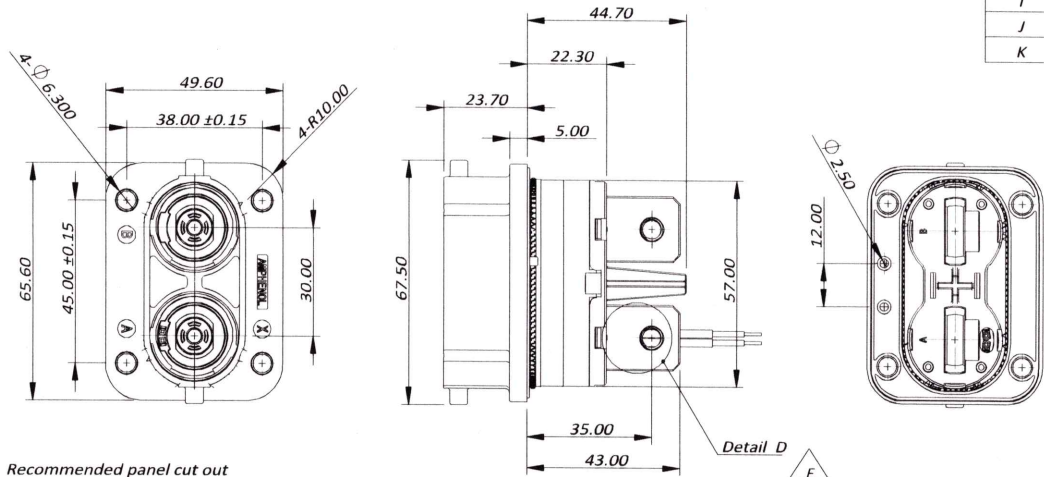


THIS DRAWING IS SUPPLIED FOR INFORMATION ONLY. DESIGN FEATURES, SPECIFICATIONS AND PERFORMANCE DATA SHOWN HEREON ARE THE PROPERTY OF THE AMPHENOL CORPORATION. NO RIGHTS OF REPRODUCTION ARE IMPLIED. ALL DIMENSIONS ARE SUBJECT TO NORMAL MANUFACTURING VARIATIONS.

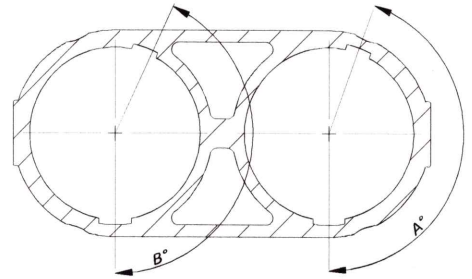
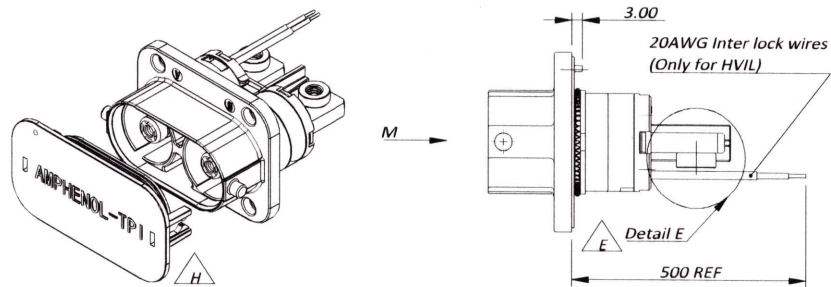
CUSTOMER DRAWING

Amphenol TPI
2024-08-21
REGISTERED COPY

REVISIONS					
REV#	ECN#	REVISION ACTION	REV. BY:	APPR. BY:	DATE
F	--	Change W/T key Angle and change the temperature of technical points	Star	JL	11/09/2021
G	--	Change of Operating temperature, voltage and Dielectric withstanding voltage	JS	JL	08/09/2022
H	--	Add view of dust cover	JS	JL	11/04/2022
I	--	Change specification parameters	Hogan	JL	03/21/2023
J	231005	Update the size of the V key installation panel	RJ	JL	09/27/2023
K	--	Change operating temperature	JS	JL	08/13/2024



Recommended panel cut out



Key	角度A°	角度B°
X	160	160
Y	200	200
U	160	200
V	200	160
W	None/无	90
T	270	None/无

- 规格参数 (Spec.):
- 工作温度 Operating temperature : -40°C ~ +140°C. △ K
 - 带高压互锁 Electrical interlock (HVIL).
 - 额定电流 Current rating:
Power: 300A; HVIL: 5A.
 - 额定电压 Operating voltage:
Power: 1500 VDC; Signal: 60 VDC. △ G
 - 耐压 Dielectric withstanding voltage:
 - A. 与插座对插后, Pin与铁壳之间
When mated, between pin and metal shell: 8000 VDC. △ I
 - B. 与插座对插后, Pin与HVIL之间
When mated, between pin and HVIL: 8000 VDC. △ I
 - C. 与插座对插后, HVIL与铁壳之间
When mated, between HVIL and metal shell: 500 VDC.
 - D. 与插座对插前, 两个HVIL端子之间耐压
Before mating, between two HVIL terminals: 500 VDC.
 - 防护等级 Protection class: Mated-IP6k9k & IP67, unmated-IP2X.
 - 电磁屏蔽 360° full Shielding.
 - 机械寿命 Mating cycle: 100 Min.
 - 推荐法兰盘螺丝安装扭矩 Recommended Screw Assembly Torque on Flange : 6.2~7.6Nm
 - 推荐铜排安装扭矩 Recommended Fasten Torque on Lug:
M6: 3.6~4.4Nm, M8: 7.2~8.8Nm, M10: 17.1~20.9Nm
 - 镀灰锌/锌镍合金, 满足500H中性盐雾实验
Gray Zinc/Nickel(ZnNi)Plating. Rated at 500hours salt spray.
 - 产品满足RoHS和REACH要求. Parts must be RoHS and reach compliant. △ G
 - 绝缘体为140° RTI材料. The insulators are 140° RTI material. △ G
 - 绝缘材料满足UL94V-0 The insulation material meets the requirements of UL94V-0. △ I

订购信息 Ordering Information

PL082 X - 30 1 - 10 PM 6 - 2

Key and Color	HVIL	Hole Type	Hole Size
"X", Orange	"0", NO HVIL	"D", through hole	
"Y", Black	"1", With HVIL	"M", thread hole	
"U", Yellow		"H", slot hole	
"V", Green		"PM", punched nut	
"W", Red			
"T", Blue			

AMPHENOL
TPI

Amphenol Technical Products International Asia.

第三角投影 THIRD ANGLE PROJECTION	页面 SHEET	幅面 SIZE	版次 REV.	比例 SCALE	PART NAME: PL300 G2 2POS Rcpl Lug
1 OF 3	A4	K	--	DWG NO: PL082X-30X-10XX-2	
UNLESS OTHERWISE SPECIFIED 1) All dimensions are in metric(mm). 2) Tolerances are as follows: 1. PL DEC ± 1.00 2. PL DEC ± 0.50 3. PL DEC ± 0.20					Angles ±1°
签名 SIGNATURE 制图 DRAWN July.su 审核 CHECKED 批准 APPROVAL		日期 DATE 08/13/2024		CUST PART # CUST REV.	

Key Characteristics Critical 关键特性
 Amphenol for Latest Definition Significant 重要特性

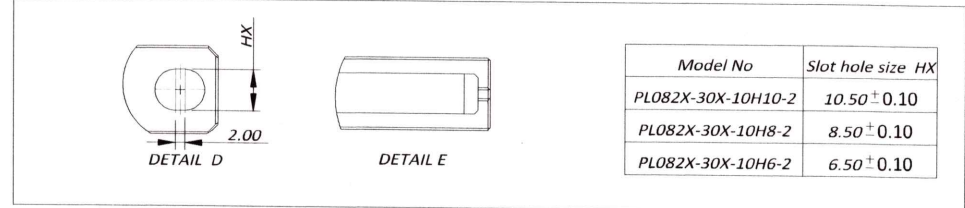
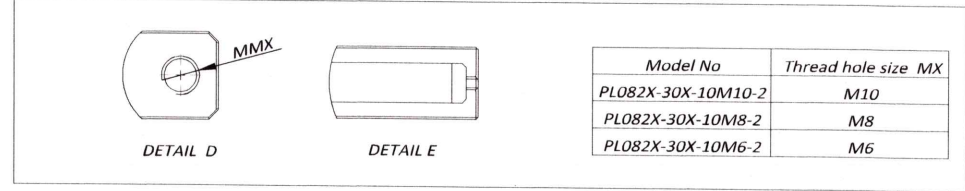
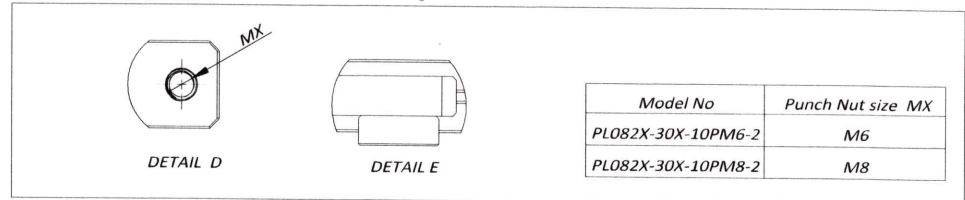
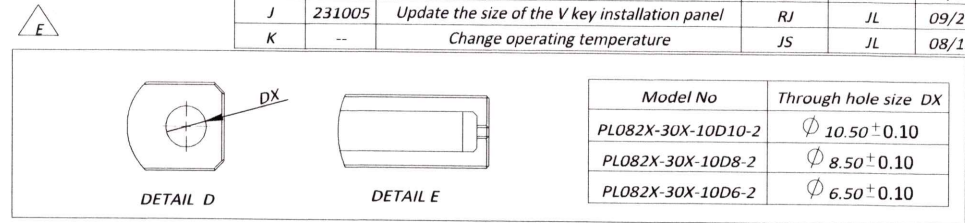
July 2024

Amphenol TPI
2024-08-21
REGISTERED COPY

THIS DRAWING IS SUPPLIED FOR INFORMATION ONLY. DESIGN FEATURES, SPECIFICATIONS AND PERFORMANCE DATA SHOWN HEREON ARE THE PROPERTY OF THE AMPHENOL CORPORATION. NO RIGHTS OF REPRODUCTION ARE IMPLIED. ALL DIMENSIONS ARE SUBJECT TO NORMAL MANUFACTURING VARIATIONS.

1	2	3	4	5
P/N 料号	Model No. 型号	P/N 料号	Model No. 型号	
AC-HA010932	PL082X-300-10M6-2	AC-HA010944	PL082X-301-10M6-2	
AC-HA010933	PL082Y-300-10M6-2	AC-HA010945	PL082Y-301-10M6-2	
AC-HA016971	PL082U-300-10M6-2	AC-HA016991	PL082U-301-10M6-2	
AC-HA016972	PL082V-300-10M6-2	AC-HA016992	PL082V-301-10M6-2	
AC-HA016973	PL082W-300-10M6-2	AC-HA016993	PL082W-301-10M6-2	
AC-HA016974	PL082T-300-10M6-2	AC-HA016994	PL082T-301-10M6-2	
AC-HA010934	PL082X-300-10M8-2	AC-HA010946	PL082X-301-10M8-2	
AC-HA010935	PL082Y-300-10M8-2	AC-HA010947	PL082Y-301-10M8-2	
AC-HA016975	PL082U-300-10M8-2	AC-HA016995	PL082U-301-10M8-2	
AC-HA016976	PL082V-300-10M8-2	AC-HA016996	PL082V-301-10M8-2	
AC-HA016977	PL082W-300-10M8-2	AC-HA016997	PL082W-301-10M8-2	
AC-HA016978	PL082T-300-10M8-2	AC-HA016998	PL082T-301-10M8-2	
AC-HA010938	PL082X-300-10D6-2	AC-HA010950	PL082X-301-10D6-2	
AC-HA010939	PL082Y-300-10D6-2	AC-HA010951	PL082Y-301-10D6-2	
AC-HA016979	PL082U-300-10D6-2	AC-HA016999	PL082U-301-10D6-2	
AC-HA016980	PL082V-300-10D6-2	AC-HA017000	PL082V-301-10D6-2	
AC-HA016981	PL082W-300-10D6-2	AC-HA017001	PL082W-301-10D6-2	
AC-HA016982	PL082T-300-10D6-2	AC-HA017002	PL082T-301-10D6-2	
AC-HA010940	PL082X-300-10D8-2	AC-HA010952	PL082X-301-10D8-2	
AC-HA010941	PL082Y-300-10D8-2	AC-HA010953	PL082Y-301-10D8-2	
AC-HA016983	PL082U-300-10D8-2	AC-HA017003	PL082U-301-10D8-2	
AC-HA016984	PL082V-300-10D8-2	AC-HA017004	PL082V-301-10D8-2	
AC-HA016985	PL082W-300-10D8-2	AC-HA017005	PL082W-301-10D8-2	
AC-HA016986	PL082T-300-10D8-2	AC-HA017006	PL082T-301-10D8-2	
AC-HA010942	PL082X-300-10D10-2	AC-HA010954	PL082X-301-10D10-2	
AC-HA010943	PL082Y-300-10D10-2	AC-HA010955	PL082Y-301-10D10-2	
AC-HA016987	PL082U-300-10D10-2	AC-HA017007	PL082U-301-10D10-2	
AC-HA016988	PL082V-300-10D10-2	AC-HA017008	PL082V-301-10D10-2	
AC-HA016989	PL082W-300-10D10-2	AC-HA017009	PL082W-301-10D10-2	
AC-HA016990	PL082T-300-10D10-2	AC-HA017010	PL082T-301-10D10-2	
AC-HA011977	PL082X-300-10PM6-2	AC-HA011979	PL082X-301-10PM6-2	
AC-HA011978	PL082Y-300-10PM6-2	AC-HA011980	PL082Y-301-10PM6-2	
AC-HA017011	PL082U-300-10PM6-2	AC-HA017015	PL082U-301-10PM6-2	
AC-HA017012	PL082V-300-10PM6-2	AC-HA017016	PL082V-301-10PM6-2	
AC-HA017013	PL082W-300-10PM6-2	AC-HA017017	PL082W-301-10PM6-2	
AC-HA017014	PL082T-300-10PM6-2	AC-HA017018	PL082T-301-10PM6-2	
AC-HA017356	PL082X-300-10PM8-2	AC-HA017374	PL082X-301-10PM8-2	
AC-HA017357	PL082Y-300-10PM8-2	AC-HA017375	PL082Y-301-10PM8-2	
AC-HA017358	PL082U-300-10PM8-2	AC-HA017376	PL082U-301-10PM8-2	
AC-HA017359	PL082V-300-10PM8-2	AC-HA017377	PL082V-301-10PM8-2	
AC-HA017360	PL082W-300-10PM8-2	AC-HA017378	PL082W-301-10PM8-2	
AC-HA017361	PL082T-300-10PM8-2	AC-HA017379	PL082T-301-10PM8-2	
AC-HA017362	PL082X-300-10H6-2	AC-HA017380	PL082X-301-10H6-2	
AC-HA017363	PL082Y-300-10H6-2	AC-HA017381	PL082Y-301-10H6-2	
AC-HA017364	PL082U-300-10H6-2	AC-HA017382	PL082U-301-10H6-2	
AC-HA017365	PL082V-300-10H6-2	AC-HA017383	PL082V-301-10H6-2	
AC-HA017366	PL082W-300-10H6-2	AC-HA017384	PL082W-301-10H6-2	
AC-HA017367	PL082T-300-10H6-2	AC-HA017385	PL082T-301-10H6-2	
AC-HA017368	PL082X-300-10H8-2	AC-HA017386	PL082X-301-10H8-2	
AC-HA017369	PL082Y-300-10H8-2	AC-HA017387	PL082Y-301-10H8-2	
AC-HA017370	PL082U-300-10H8-2	AC-HA017388	PL082U-301-10H8-2	
AC-HA017371	PL082V-300-10H8-2	AC-HA017389	PL082V-301-10H8-2	
AC-HA017372	PL082W-300-10H8-2	AC-HA017390	PL082W-301-10H8-2	
AC-HA017373	PL082T-300-10H8-2	AC-HA017391	PL082T-301-10H8-2	
AC-HA010936	PL082X-300-10M10-2	AC-HA010948	PL082X-301-10M10-2	
AC-HA010937	PL082Y-300-10M10-2	AC-HA010949	PL082Y-301-10M10-2	
AC-HA017824	PL082U-300-10M10-2	AC-HA017828	PL082U-301-10M10-2	
AC-HA017825	PL082V-300-10M10-2	AC-HA017829	PL082V-301-10M10-2	
AC-HA017826	PL082W-300-10M10-2	AC-HA017830	PL082W-301-10M10-2	
AC-HA017827	PL082T-300-10M10-2	AC-HA017831	PL082T-301-10M10-2	

REVISIONS					
REV#	ECN#	REVISION ACTION	REV. BY:	APPR. BY:	DATE
E	--	Add Key W/T and add detailed view of lug	Star	JL	04/19/2021
F	--	Change W/T key Angle and change the temperature of technical points	Star	JL	11/09/2021
G	--	Change of Operating temperature, voltage and Dielectric withstanding voltage	JS	JL	08/09/2022
H	--	Add view of dust cover	JS	JL	11/04/2022
I	--	Change specification parameters	Hogan	JL	03/21/2023
J	231005	Update the size of the V key installation panel	RJ	JL	09/27/2023
K	--	Change operating temperature	JS	JL	08/13/2024



△ C
 △ C
 △ C
 △ C
 △ C
 △ C
 △ C
 △ C
 △ C
 △ C
 △ C
 △ D
 △ D
 △ D
 △ D

Amphenol Technical Products International Asia.

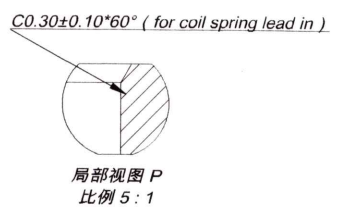
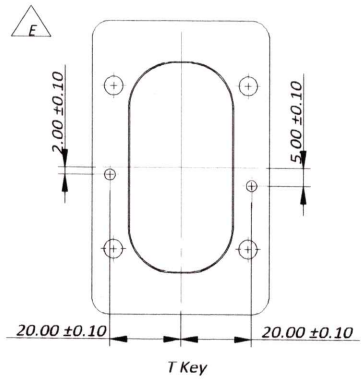
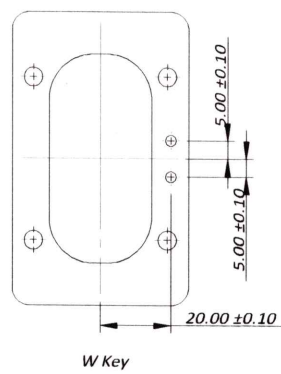
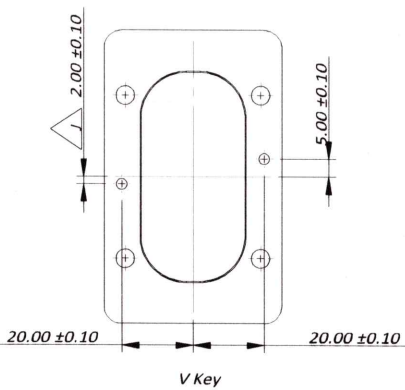
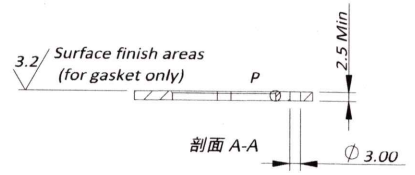
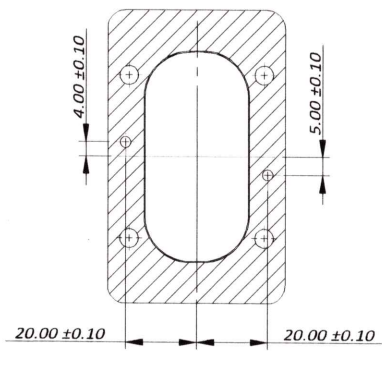
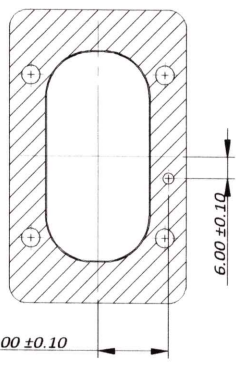
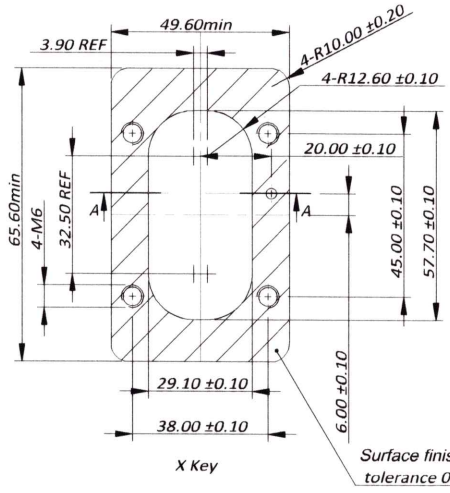
第三角投影 THIRD ANGLE PROJECTION	页码 SHEET	幅面 SIZE	版次 REV.	比例 SCALE	PART NAME: PL300 G2 2POS Rcpl Lug
20F 3	A4	K	--	--	
签名 SIGNATURE: July.su 日期 DATE: 08/13/2024 制图 DRAWN: July.su 审核 CHECKED: [Signature] 批准 APPROVAL: [Signature]					DWG NO: PL082X-30X-10XX-2 CUST PART #
除非另有规定 1) All dimensions are in metric(mm). 2) Tolerances are as follows: 1.PL DEC ± 1.00 2.PL DEC ± 0.50 3.PL DEC ± 0.20 Angles ±1°					

THIS DRAWING IS SUPPLIED FOR INFORMATION ONLY. DESIGN FEATURES, SPECIFICATIONS AND PERFORMANCE DATA SHOWN HEREON ARE THE PROPERTY OF THE AMPHENOL CORPORATION. NO RIGHTS OF REPRODUCTION ARE IMPLIED. ALL DIMENSIONS ARE SUBJECT TO NORMAL MANUFACTURING VARIATIONS.

推荐面板开孔图 Recommended Panel cut out size

Amphenol TPI
2024-08-21
REGISTERED COPY

REVISIONS					
REV#	ECN#	REVISION ACTION	REV.BY:	APPR.BY:	DATE
E	--	Add Key W/T and add detailed view of lug	Star	JL	04/19/2021
F	--	Change W/T key Angle and change the temperature of technical points	Star	JL	11/09/2021
G	--	Change of Operating temperature, voltage and Dielectric withstanding voltage	JS	JL	08/09/2022
H	--	Add view of dust cover	JS	JL	11/04/2022
I	--	Change specification parameters	Hogan	JL	03/21/2023
J	231005	Update the size of the V key installation panel	RJ	JL	09/27/2023
K	--	Change operating temperature	JS	JL	08/13/2024

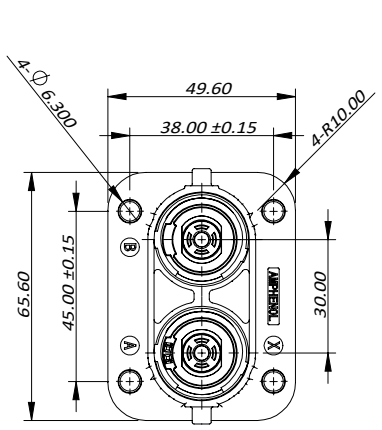


	Amphenol Technical Products International Asia.					
	第三角投影 THIRD ANGLE PROJECTION	页面 SHEET	幅面 SIZE	版次 REV.	比例 SCALE	PART NAME: PL300 G2 2POS Rcpl Lug
Key Characteristics Contact Amphenol for Latest Definition	Critical 关键特性	5 Significant 重要特性	签名 SIGNATURE 日期 DATE 制图 DRAWN 审核 CHECKED 批准 APPROVAL			DWG NO: PL082X-30X-10XX-2 CUST PART # CUST REV.
UNLESS OTHERWISE SPECIFIED 1) All dimensions are in metric(mm). 2) Tolerances are as follows: 1.PL DEC ± 1.00 2.PL DEC ± 0.50 3.PL DEC ± 0.20 Angles ±1°						

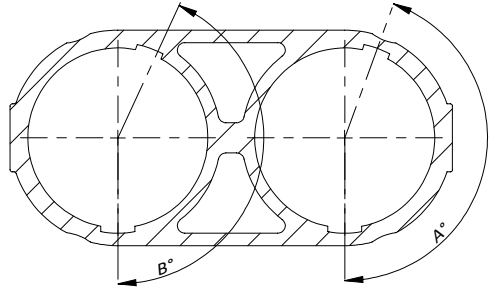
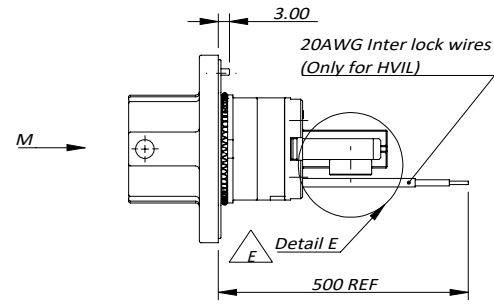
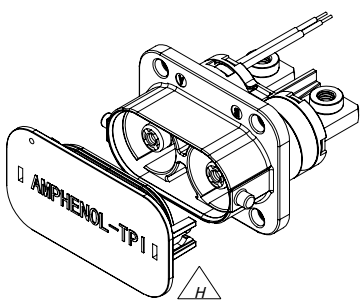
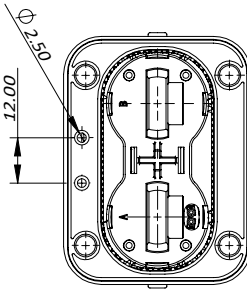
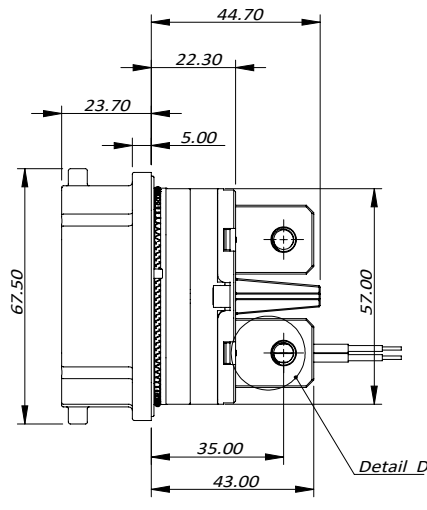
THIS DRAWING IS SUPPLIED FOR INFORMATION ONLY. DESIGN FEATURES, SPECIFICATIONS AND PERFORMANCE DATA SHOWN HEREON ARE THE PROPERTY OF THE AMPHENOL CORPORATION. NO RIGHTS OF REPRODUCTION ARE IMPLIED. ALL DIMENSIONS ARE SUBJECT TO NORMAL MANUFACTURING VARIATIONS.

CUSTOMER DRAWING

REVISIONS					
REV#	ECN#	REVISION ACTION	REV.BY:	APPR.BY:	DATE
F	--	Change W/T key Angle and change the temperature of technical points	Star	JL	11/09/2021
G	--	Change of Operating temperature, voltage and Dielectric withstanding voltage	JS	JL	08/09/2022
H	--	Add view of dust cover	JS	JL	11/04/2022
I	--	Change specification parameters	Hogan	JL	03/21/2023
J	231005	Update the size of the V key installation panel	RJ	JL	09/27/2023
K	--	Change operating temperature	JS	JL	08/13/2024



Recommended panel cut out



M向键位示意图

Key	角度A°	角度B°
X	160	160
Y	200	200
U	160	200
V	200	160
W	None/无	90
T	270	None/无

- 规格参数 (Spec.):
- 工作温度 Operating temperature : -40°C ~ +140°C. △K
 - 带高压互锁 Electrical interlock (HVIL).
 - 额定电流 Current rating:
Power: 300A; HVIL: 5A.
 - 额定电压 Operating voltage:
Power: 1500 VDC; Signal: 60 VDC. △G
 - 耐压 Dielectric withstanding voltage:
 - 与插座对插后, Pin与铁壳之间
When mated, between pin and metal shell: 8000 VDC. △I
 - 与插座对插后, Pin与HVIL之间
When mated, between pin and HVIL: 8000 VDC. △I
 - 与插座对插后, HVIL与铁壳之间
When mated, between HVIL and metal shell: 500 VDC.
 - 与插座对插前, 两个HVIL端子之间耐压
Before mating, between two HVIL terminals: 500 VDC.
 - 防护等级 Protection class: Mated-IP6k9k & IP67, unmated-IP2X.
 - 电磁屏蔽 360° full Shielding.
 - 机械寿命 Mating cycle: 100 Min.
 - 推荐法兰盘螺丝安装扭矩 Recommended Screw Assembly Torque on Flange : 6.2~7.6Nm
 - 推荐铜排安装扭矩 Recommended Fasten Torque on Lug:
M6: 3.6~4.4Nm, M8: 7.2~8.8Nm, M10: 17.1~20.9Nm
 - 镀灰锌/镍合金, 满足500H中性盐雾实验
Gray Zinc/Nickel(ZnNi) Plating. Rated at 500hours salt spray.
 - 产品满足RoHS和REACH要求, Parts must be RoHS and reach compliant. ▽
 - 绝缘体为140° RTI材料. The insulators are 140° RTI material. △G
 - 绝缘材料满足UL94V-0 The insulation material meets the requirements of UL94V-0. ▽

订购信息 Ordering Information

PL082 X - 30 1 - 10 PM 6 - 2

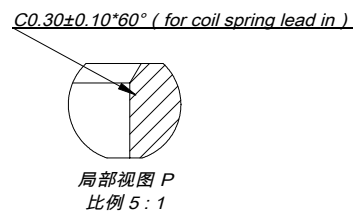
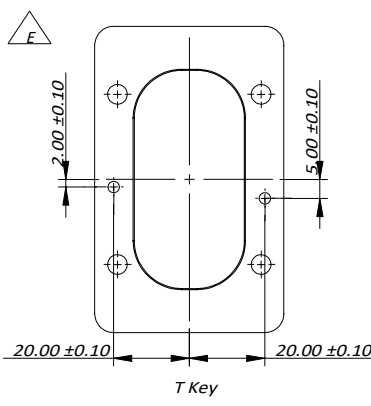
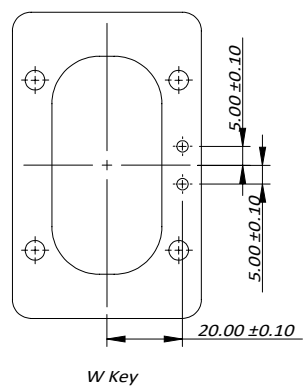
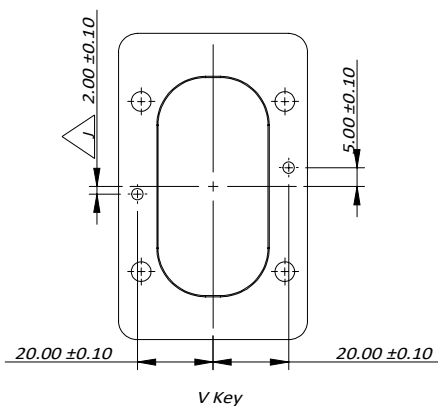
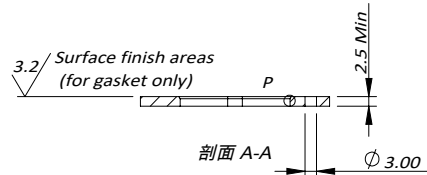
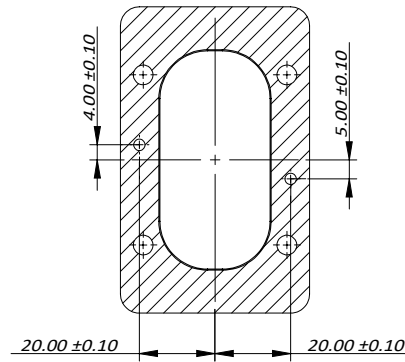
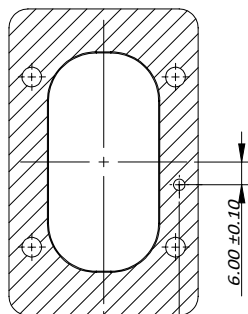
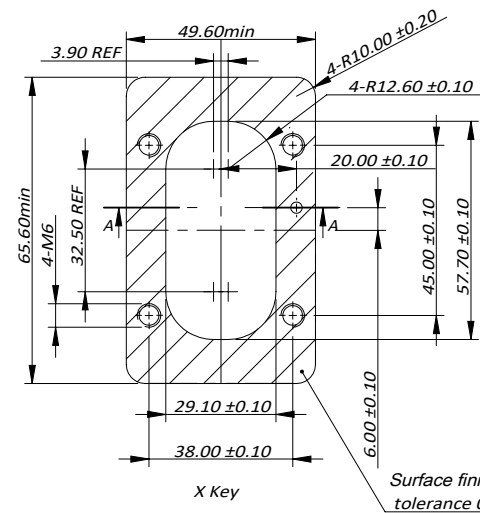
Key and Color	HVIL	Hole Type	Hole Size
"X", Orange	"0", NO HVIL	"D", through hole	
"Y", Black	"1", With HVIL	"M", thread hole	
"U", Yellow		"H", slot hole	
"V", Green		"PM", punched nut	
"W", Red			
"T", Blue			

AMPHENOL Amphenol Technical Products International Asia.

THIRD ANGLE PROJECTION	SHEET	SIZE	REV.	SCALE	PART NAME:
	1 OF 3	A4	K	--	PL300 G2 2POS Rcpt Lug
签名 SIGNATURE	日期 DATE	UNLESS OTHERWISE SPECIFIED			DWG NO:
制图 DRAWN	July.su	1) All dimensions are in metric(mm).			PL082X-30X-10XX-2
审核 CHECKED		2) Tolerances are as follows:			CUST PART #
批准 APPROVAL		1.PL DEC ± 1.00			CUST REV.
		2.PL DEC ± 0.50			
		3.PL DEC ± 0.20			
		Angles ±1°			

THIS DRAWING IS SUPPLIED FOR INFORMATION ONLY. DESIGN FEATURES, SPECIFICATIONS AND PERFORMANCE DATA SHOWN HEREON ARE THE PROPERTY OF THE AMPHENOL CORPORATION. NO RIGHTS OF REPRODUCTION ARE IMPLIED. ALL DIMENSIONS ARE SUBJECT TO NORMAL MANUFACTURING VARIATIONS.

推荐面板开孔图 Recommended Panel cut out size



REVISIONS					
REV#	ECN#	REVISION ACTION	REV.BY:	APPR.BY:	DATE
E	--	Add Key W/T and add detailed view of lug	Star	JL	04/19/2021
F	--	Change W/T key Angle and change the temperature of technical points	Star	JL	11/09/2021
G	--	Change of Operating temperature, voltage and Dielectric withstanding voltage	JS	JL	08/09/2022
H	--	Add view of dust cover	JS	JL	11/04/2022
I	--	Change specification parameters	Hogan	JL	03/21/2023
J	231005	Update the size of the V key installation panel	RJ	JL	09/27/2023
K	--	Change operating temperature	JS	JL	08/13/2024

Amphenol Technical Products International Asia.

第三角投影 THIRD ANGLE PROJECTION	页面 SHEET	幅面 SIZE	版次 REV.	比例 SCALE	PART NAME: PL300 G2 2POS Rcpt Lug
	3 OF 3	A4	K	--	

Key	日期 DATE	UNLESS OTHERWISE SPECIFIED	DWG NO:
Characteristics Critical	July.su	1) All dimensions are in metric(mm).	PL082X-30X-10XX-2
Contact 关键特性	08/13/2024	2) Tolerances are as follows:	CUST PART #
Amphenol for Latest Definition	CHECKED	1.PL DEC ± 1.00	CUST REV.
	批准 APPROVAL	2.PL DEC ± 0.50	
		3.PL DEC ± 0.20	
		Angles ±1°	