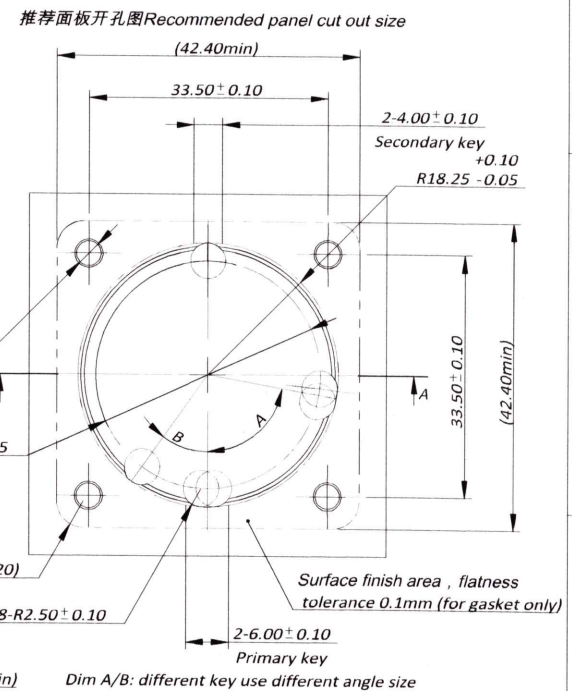
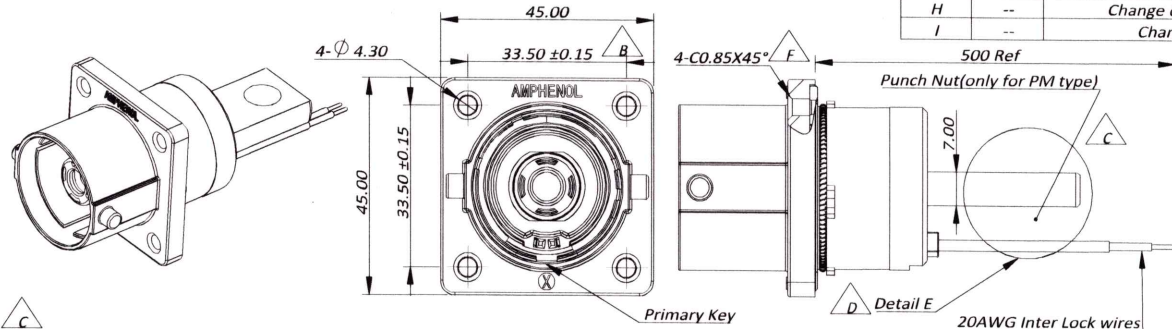
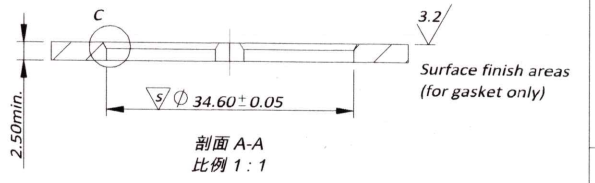
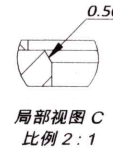
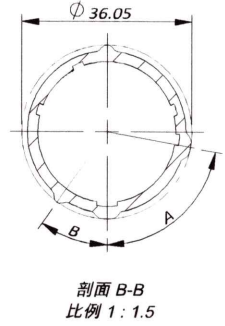
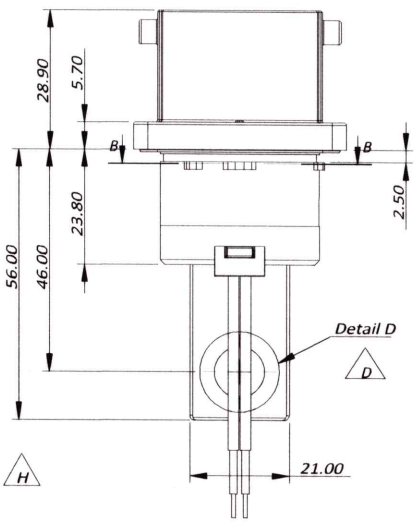


# CUSTOMER DRAWING

REVISIONS					
REV#	ECN#	REVISION ACTION	REV.BY:	APPR.BY:	DATE
A	--	INITIAL RELEASE	YM	JL	02/17/2020
F	--	Add chamfer for hole position	Star	JL	01/14/2022
G	--	Change operating temperature and voltage	JS	JL	08/16/2022
H	--	Change dielectric withstanding voltage	JS	JL	03/01/2023
I	--	Change operating temperature	JS	JL	09/24/2024



键位 Key	A	B
X	80°	36°
Y	50°	86°
U	36°	76°
V	100°	56°
W	130°	60°
T	144°	96°



- 规格参数 (Spec.):
- 工作温度 Operating temperature: -40°C ~ +140°C.
  - 带高压互锁 Electrical interlock (HVIL).
  - 额定电流 Current rating: Power: 500A; HVIL: 5A.
  - 额定电压 Operating voltage: Power: 1500 VDC; Signal: 60 VDC.
  - 耐压 Dielectric withstanding voltage:
    - A. 与插头对接后, Pin与铁壳之间: When mated, between pin and metal shell: 8000 VDC.
    - B. 与插头对接后, Pin与HVIL之间: When mated, between pin and HVIL: 8000 VDC.
    - C. 与插头对接后, HVIL与铁壳之间: When mated, between HVIL and metal shell: 500 VDC.
    - D. 与插头对接前, 两个HVIL端子之间耐压: Before mating, between two HVIL terminals: 500 VDC.
  - 防护等级 Protection class: Mated-IP6k9k & IP67, unmated-IP2X.
  - 电磁屏蔽 360° full Shielding.
  - 机械寿命 Mating cycle: 100 Min.
  - 绝缘材料满足 UL94V-0 Inner insulation material satisfy UL94V-0.
  - 推荐法兰盘螺丝安装扭矩 Recommended Screw Assembly Torque on Flange: 1.6~2.4Nm
  - 推荐铜排安装扭矩 Recommended Fasten Torque on Lug: M6: 3.6~4.4Nm, M8: 7.2~8.8Nm, M10: 17.1~20.9Nm
  - 镀灰锌/锌镍合金, 满足500H中性盐雾实验 Gray Zinc/Nickel (ZnNi) Plating, Rated at 500hours salt spray.
  - 产品满足 RoHS 和 REACH 要求, Parts must be RoHS and reach compliant.
  - 绝缘体为 140° RTI 材料. The insulators are 140° RTI material.

## 订购信息 Ordering Information

**PL 00 X - 50X - 10X X - 2**

Key and Color	HVIL	Hole Type	Hole Size
"X", Orange	"0", NO HVIL	"D", Through Hole	"D", Through Hole
"Y", Black	"1", With HVIL	"M", thread hole	"M", thread hole
"U", Yellow		"H", slot hole	"H", slot hole
"V", Green		"PM", Punch Nut	"PM", Punch Nut
"W", Red			
"T", Blue			



## Amphenol Technical Products International Asia.

第三角投影 THIRD ANGLE PROJECTION	页码 SHEET	幅面 SIZE	版次 REV.	比例 SCALE	PART NAME:
	1 OF 2	A4	I		PwrLok 14mm G2 Rcpt Lug
UNLESS OTHERWISE SPECIFIED					DWG NO:
1) All dimensions are in metric (mm).					PLOOX-50X-10XX-2
2) Tolerances are as follows:					CUST PART #
1. PL DEC ± 1.00					CUST REV.
2. PL DEC ± 0.50					
3. PL DEC ± 0.20					
Angles ± 1°					

Key Characteristics Critical 关键特性  
Amphenol for Latest Definition s Significant 重要特性

签名 SIGNATURE: *Juan*  
日期 DATE: July.su 09/24/2024  
制图 DRAWN: July.su  
审核 CHECKED: *Juan*  
批准 APPROVAL: *Juan*

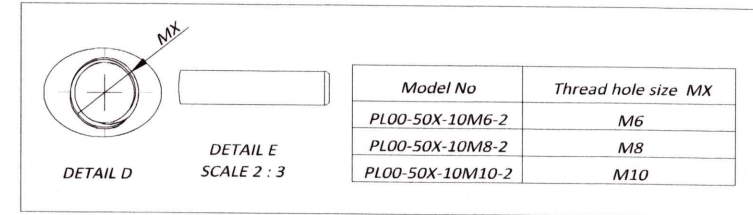
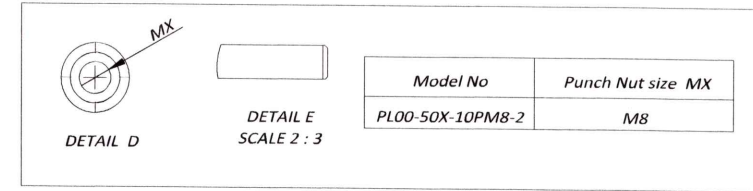
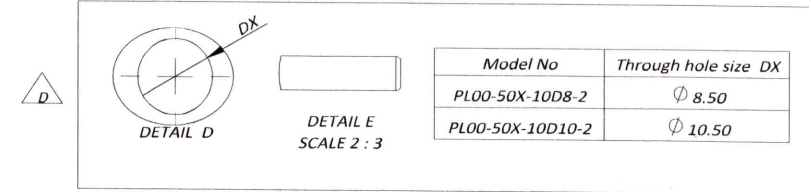
Amphenol TPI  
2024-09-26  
REGISTERED COPY

THIS DRAWING IS SUPPLIED FOR INFORMATION ONLY. DESIGN FEATURES, SPECIFICATIONS AND PERFORMANCE DATA SHOWN HEREON ARE THE PROPERTY OF THE AMPHENOL CORPORATION. NO RIGHTS OF REPRODUCTION ARE IMPLIED. ALL DIMENSIONS ARE SUBJECT TO NORMAL MANUFACTURING VARIATIONS.

THIS DRAWING IS SUPPLIED FOR INFORMATION ONLY. DESIGN FEATURES, SPECIFICATIONS AND PERFORMANCE DATA SHOWN HEREON ARE THE PROPERTY OF THE AMPHENOL CORPORATION. NO RIGHTS OF REPRODUCTION ARE IMPLIED. ALL DIMENSIONS ARE SUBJECT TO NORMAL MANUFACTURING VARIATIONS.

1	2	3	4	5	6	7	8
P/N 料号	Model No. 型号	P/N 料号	Model No. 型号		REVISIONS		
AC-HA011160	PL00X-500-10M8-2	AC-HA017583	PL00X-500-10M6-2		REV#	ECN#	REVISION ACTION
AC-HA011161	PL00Y-500-10M8-2	AC-HA017584	PL00Y-500-10M6-2		A	--	INITIAL RELEASE
AC-HA011162	PL00U-500-10M8-2	AC-HA017585	PL00U-500-10M6-2		C	--	Add dust cap, oring and M6 PM8 specifications
AC-HA011163	PL00V-500-10M8-2	AC-HA017586	PL00V-500-10M6-2		D	--	Add detailed view of lug
AC-HA011164	PL00W-500-10M8-2	AC-HA017587	PL00W-500-10M6-2		E	--	Change the temperature of technical points
AC-HA011165	PL00X-500-10M10-2	AC-HA017588	PL00T-500-10M6-2		F	--	Add chamfer for hole position
AC-HA011166	PL00Y-500-10M10-2	AC-HA017589	PL00X-501-10M6-2		G	--	Change operating temperature and voltage
AC-HA011167	PL00U-500-10M10-2	AC-HA017590	PL00Y-501-10M6-2		H	--	Change dielectric withstanding voltage
AC-HA011168	PL00V-500-10M10-2	AC-HA017591	PL00U-501-10M6-2		I	--	Change operating temperature
AC-HA011169	PL00W-500-10M10-2	AC-HA017592	PL00V-501-10M6-2				
AC-HA011170	PL00X-500-10D8-2	AC-HA017593	PL00W-501-10M6-2				
AC-HA011171	PL00Y-500-10D8-2	AC-HA017594	PL00T-501-10M6-2				
AC-HA011172	PL00U-500-10D8-2	AC-HA016486	PL00X-500-10PM8-2				
AC-HA011173	PL00V-500-10D8-2	AC-HA016487	PL00Y-500-10PM8-2				
AC-HA011174	PL00W-500-10D8-2	AC-HA016488	PL00U-500-10PM8-2				
AC-HA011175	PL00X-500-10D10-2	AC-HA016489	PL00V-500-10PM8-2				
AC-HA011176	PL00Y-500-10D10-2	AC-HA016490	PL00W-500-10PM8-2				
AC-HA011177	PL00U-500-10D10-2	AC-HA016491	PL00T-500-10PM8-2				
AC-HA011178	PL00V-500-10D10-2	AC-HA016492	PL00X-501-10PM8-2				
AC-HA011179	PL00W-500-10D10-2	AC-HA016493	PL00Y-501-10PM8-2				
AC-HA011180	PL00X-501-10M8-2	AC-HA016494	PL00U-501-10PM8-2				
AC-HA011181	PL00Y-501-10M8-2	AC-HA016495	PL00V-501-10PM8-2				
AC-HA011182	PL00U-501-10M8-2	AC-HA016496	PL00W-501-10PM8-2				
AC-HA011183	PL00V-501-10M8-2	AC-HA016497	PL00T-501-10PM8-2				
AC-HA011184	PL00W-501-10M8-2						
AC-HA011185	PL00X-501-10M10-2						
AC-HA011186	PL00Y-501-10M10-2						
AC-HA011187	PL00U-501-10M10-2						
AC-HA011188	PL00V-501-10M10-2						
AC-HA011189	PL00W-501-10M10-2						
AC-HA011190	PL00X-501-10D8-2						
AC-HA011191	PL00Y-501-10D8-2						
AC-HA011192	PL00U-501-10D8-2						
AC-HA011193	PL00V-501-10D8-2						
AC-HA011194	PL00W-501-10D8-2						
AC-HA011195	PL00X-501-10D10-2						
AC-HA011196	PL00Y-501-10D10-2						
AC-HA011197	PL00U-501-10D10-2						
AC-HA011198	PL00V-501-10D10-2						
AC-HA011199	PL00W-501-10D10-2						
AC-HA011969	PL00T-500-10D8-2						
AC-HA011970	PL00T-500-10M8-2						
AC-HA011971	PL00T-500-10M10-2						
AC-HA011972	PL00T-500-10D10-2						
AC-HA011973	PL00T-501-10D8-2						
AC-HA011974	PL00T-501-10M8-2						
AC-HA011975	PL00T-501-10M10-2						
AC-HA011976	PL00T-501-10D10-2						

REV#	ECN#	REVISION ACTION	REV.BY:	APPR.BY:	DATE
A	--	INITIAL RELEASE	YM	JL	02/17/2020
C	--	Add dust cap, oring and M6 PM8 specifications	Star	James	12/30/2020
D	--	Add detailed view of lug	Star	JL	06/17/2021
E	--	Change the temperature of technical points	Star	JL	12/03/2021
F	--	Add chamfer for hole position	Star	JL	01/14/2022
G	--	Change operating temperature and voltage	JS	JL	08/16/2022
H	--	Change dielectric withstanding voltage	JS	JL	03/01/2023
I	--	Change operating temperature	JS	JL	09/24/2024



**Amphenol TPI**  
**2024-09-26**  
**REGISTERED COPY**

**AMPHENOL**  
**TPI**

**Amphenol Technical Products International Asia.**

第三角投影 <b>THIRD ANGLE PROJECTION</b>	页面 <b>SHEET</b>	幅面 <b>SIZE</b>	版次 <b>REV.</b>	比例 <b>SCALE</b>	<b>PART NAME:</b> PwrLok 14mm G2 Rcpt Lug
2 OF 2	A4	I	<b>DWG NO:</b> PL00X-50X-10XX-2		
<b>UNLESS OTHERWISE SPECIFIED</b> 1) All dimensions are in metric(mm). 2) Tolerances are as follows: 1.PL DEC ± 1.00 2.PL DEC ± 0.50 3.PL DEC ± 0.20					<b>CUST PART #</b>
<b>Angles ±1°</b>					<b>CUST REV.</b>

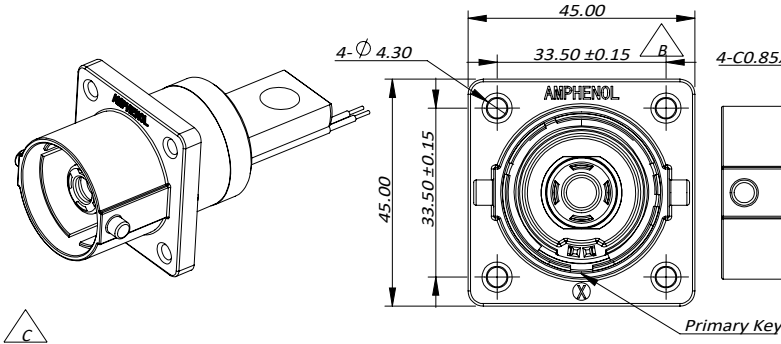
<b>Key Characteristics</b> Contact Amphenol for Latest Definition	Critical 关键特性	Significant 重要特性	签名 SIGNATURE 日期 DATE 制图 DRAWN 审核 CHECKED 批准 APPROVAL
			July.su 09/24/2024 

Key Characteristics  
 Contact  
 Amphenol for Latest Definition

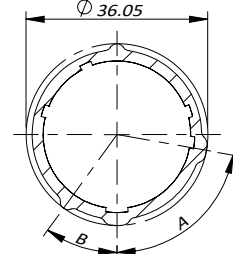
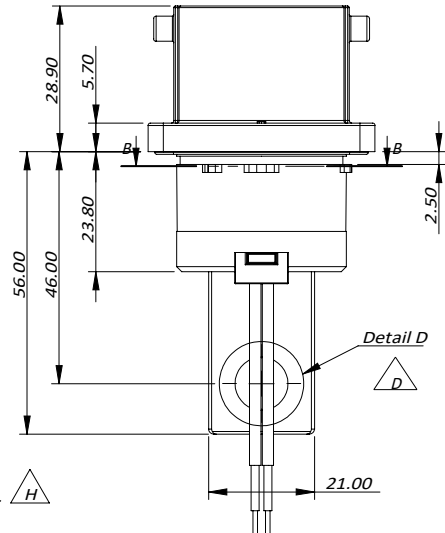
THIS DRAWING IS SUPPLIED FOR INFORMATION ONLY. DESIGN FEATURES, SPECIFICATIONS AND PERFORMANCE DATA SHOWN HEREON ARE THE PROPERTY OF THE AMPHENOL CORPORATION. NO RIGHTS OF REPRODUCTION ARE IMPLIED. ALL DIMENSIONS ARE SUBJECT TO NORMAL MANUFACTURING VARIATIONS.

# CUSTOMER DRAWING

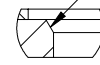
REVISIONS					
REV#	ECN#	REVISION ACTION	REV. BY:	APPR. BY:	DATE
A	--	INITIAL RELEASE	YM	JL	02/17/2020
F	--	Add chamfer for hole position	Star	JL	01/14/2022
G	--	Change operating temperature and voltage	JS	JL	08/16/2022
H	--	Change dielectric withstanding voltage	JS	JL	03/01/2023
I	--	Change operating temperature	JS	JL	09/24/2024



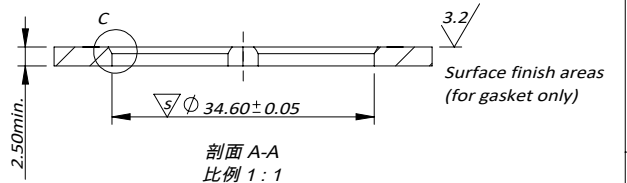
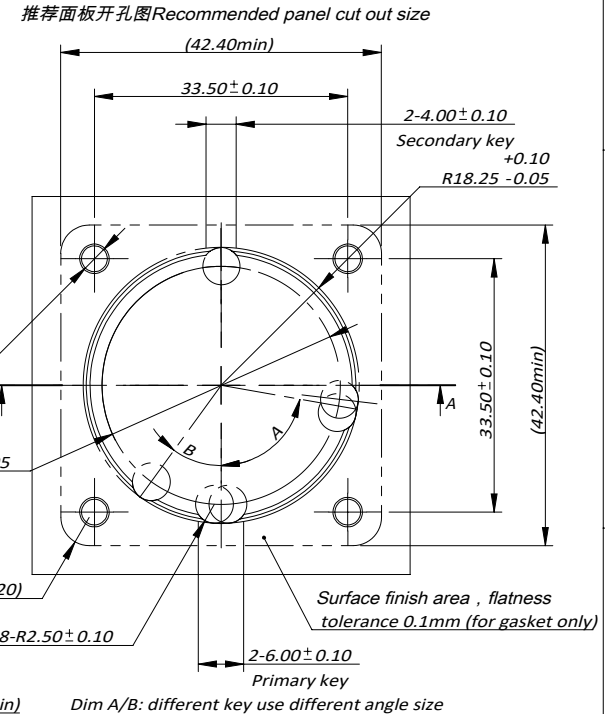
键位 Key	A	B
X	80°	36°
Y	50°	86°
U	36°	76°
V	100°	56°
W	130°	60°
T	144°	96°



剖面 B-B  
比例 1 : 1.5



局部视图 C  
比例 2 : 1



- 规格参数 (Spec.):
- 工作温度 Operating temperature:  $-40^{\circ}\text{C} \sim +140^{\circ}\text{C}$ .
  - 带高压互锁 Electrical interlock (HVIL).
  - 额定电流 Current rating:  
Power: 500A; HVIL: 5A.
  - 额定电压 Operating voltage:  
Power: 1500 VDC; Signal: 60 VDC.
  - 耐压 Dielectric withstanding voltage:  
A. 与插头对插后, Pin与铁壳之间  
When mated, between pin and metal shell: 8000 VDC.  
B. 与插头对插后, Pin与HVIL之间  
When mated, between pin and HVIL: 8000 VDC.  
C. 与插头对插后, HVIL与铁壳之间  
When mated, between HVIL and metal shell: 500 VDC.  
D. 与插头对插前, 两个HVIL端子之间耐压  
Before mating, between two HVIL terminals: 500 VDC.
  - 防护等级 Protection class: Mated-IP6k9k & IP67, unmated-IP2X.
  - 电磁屏蔽 360° full Shielding.
  - 机械寿命 Mating cycle: 100 Min.
  - 绝缘材料满足 UL94V-0 Inner insulation material satisfy UL94V-0.
  - 推荐法兰盘螺丝安装扭矩 Recommended Screw Assembly Torque on Flange: 1.6~2.4Nm
  - 推荐铜排安装扭矩 Recommended Fasten Torque on Lug:  
M6: 3.6~4.4Nm, M8: 7.2~8.8Nm, M10: 17.1~20.9Nm
  - 镀灰锌/镀锌合金, 满足500H中性盐雾实验  
Gray Zinc/Nickel(ZnNi) Plating, Rated at 500hours salt spray.
  - 产品满足RoHS和REACH要求, Parts must be RoHS and reach compliant.
  - 绝缘体为140°RTI材料. The insulators are 140° RTI material.

## 订购信息 Ordering Information

**PL 00 X - 50X - 10X X - 2**

Key and Color	HVIL	Hole Type	Hole Size
"X", Orange	"0", NO HVIL	"D", Through Hole	
"Y", Black	"1", With HVIL	"M"=thread hole	
"U", Yellow		"H"=slot hole	
"V", Green		"PM"=Punch Nut	
"W", Red			
"T", Blue			

Key Characteristics Contact	Amphenol for Latest Definition	Critical 关键特性	Significant 重要特性
-----------------------------	--------------------------------	---------------	------------------



## Amphenol Technical Products International Asia.

第三角投影 THIRD ANGLE PROJECTION	页面 SHEET	幅面 SIZE	版次 REV.	比例 SCALE	PART NAME:
	1 OF 2	A4	I		PwrLok 14mm G2 Rcpt Lug
签名 SIGNATURE	日期 DATE	UNLESS OTHERWISE SPECIFIED			DWG NO:
制图 DRAWN	July.su	1) All dimensions are in metric(mm). 2) Tolerances are as follows: 1.PL DEC ± 1.00 2.PL DEC ± 0.50 3.PL DEC ± 0.20			PL00X-50X-10XX-2
审核 CHECKED		Angles ±1°			CUST PART #
批准 APPROVAL					CUST REV.

THIS DRAWING IS SUPPLIED FOR INFORMATION ONLY. DESIGN FEATURES, SPECIFICATIONS AND PERFORMANCE DATA SHOWN HEREON ARE THE PROPERTY OF THE AMPHENOL CORPORATION. NO RIGHTS OF REPRODUCTION ARE IMPLIED. ALL DIMENSIONS ARE SUBJECT TO NORMAL MANUFACTURING VARIATIONS.

1	2	3	4	5	6	7	8																																																																																																																																																																																																																	
<table border="1" style="width:100%; border-collapse: collapse;"> <thead> <tr> <th>P/N 料号</th> <th>Model No. 型号</th> </tr> </thead> <tbody> <tr><td>AC-HA011160</td><td>PL00X-500-10M8-2</td></tr> <tr><td>AC-HA011161</td><td>PL00Y-500-10M8-2</td></tr> <tr><td>AC-HA011162</td><td>PL00U-500-10M8-2</td></tr> <tr><td>AC-HA011163</td><td>PL00V-500-10M8-2</td></tr> <tr><td>AC-HA011164</td><td>PL00W-500-10M8-2</td></tr> <tr><td>AC-HA011165</td><td>PL00X-500-10M10-2</td></tr> <tr><td>AC-HA011166</td><td>PL00Y-500-10M10-2</td></tr> <tr><td>AC-HA011167</td><td>PL00U-500-10M10-2</td></tr> <tr><td>AC-HA011168</td><td>PL00V-500-10M10-2</td></tr> <tr><td>AC-HA011169</td><td>PL00W-500-10M10-2</td></tr> <tr><td>AC-HA011170</td><td>PL00X-500-10D8-2</td></tr> <tr><td>AC-HA011171</td><td>PL00Y-500-10D8-2</td></tr> <tr><td>AC-HA011172</td><td>PL00U-500-10D8-2</td></tr> <tr><td>AC-HA011173</td><td>PL00V-500-10D8-2</td></tr> <tr><td>AC-HA011174</td><td>PL00W-500-10D8-2</td></tr> <tr><td>AC-HA011175</td><td>PL00X-500-10D10-2</td></tr> <tr><td>AC-HA011176</td><td>PL00Y-500-10D10-2</td></tr> <tr><td>AC-HA011177</td><td>PL00U-500-10D10-2</td></tr> <tr><td>AC-HA011178</td><td>PL00V-500-10D10-2</td></tr> <tr><td>AC-HA011179</td><td>PL00W-500-10D10-2</td></tr> <tr><td>AC-HA011180</td><td>PL00X-501-10M8-2</td></tr> <tr><td>AC-HA011181</td><td>PL00Y-501-10M8-2</td></tr> <tr><td>AC-HA011182</td><td>PL00U-501-10M8-2</td></tr> <tr><td>AC-HA011183</td><td>PL00V-501-10M8-2</td></tr> <tr><td>AC-HA011184</td><td>PL00W-501-10M8-2</td></tr> <tr><td>AC-HA011185</td><td>PL00X-501-10M10-2</td></tr> <tr><td>AC-HA011186</td><td>PL00Y-501-10M10-2</td></tr> <tr><td>AC-HA011187</td><td>PL00U-501-10M10-2</td></tr> <tr><td>AC-HA011188</td><td>PL00V-501-10M10-2</td></tr> <tr><td>AC-HA011189</td><td>PL00W-501-10M10-2</td></tr> <tr><td>AC-HA011190</td><td>PL00X-501-10D8-2</td></tr> <tr><td>AC-HA011191</td><td>PL00Y-501-10D8-2</td></tr> <tr><td>AC-HA011192</td><td>PL00U-501-10D8-2</td></tr> <tr><td>AC-HA011193</td><td>PL00V-501-10D8-2</td></tr> <tr><td>AC-HA011194</td><td>PL00W-501-10D8-2</td></tr> <tr><td>AC-HA011195</td><td>PL00X-501-10D10-2</td></tr> <tr><td>AC-HA011196</td><td>PL00Y-501-10D10-2</td></tr> <tr><td>AC-HA011197</td><td>PL00U-501-10D10-2</td></tr> <tr><td>AC-HA011198</td><td>PL00V-501-10D10-2</td></tr> <tr><td>AC-HA011199</td><td>PL00W-501-10D10-2</td></tr> <tr><td>AC-HA011969</td><td>PL00T-500-10D8-2</td></tr> <tr><td>AC-HA011970</td><td>PL00T-500-10M8-2</td></tr> <tr><td>AC-HA011971</td><td>PL00T-500-10M10-2</td></tr> <tr><td>AC-HA011972</td><td>PL00T-500-10D10-2</td></tr> <tr><td>AC-HA011973</td><td>PL00T-501-10D8-2</td></tr> <tr><td>AC-HA011974</td><td>PL00T-501-10M8-2</td></tr> <tr><td>AC-HA011975</td><td>PL00T-501-10M10-2</td></tr> <tr><td>AC-HA011976</td><td>PL00T-501-10D10-2</td></tr> </tbody> </table>		P/N 料号	Model No. 型号	AC-HA011160	PL00X-500-10M8-2	AC-HA011161	PL00Y-500-10M8-2	AC-HA011162	PL00U-500-10M8-2	AC-HA011163	PL00V-500-10M8-2	AC-HA011164	PL00W-500-10M8-2	AC-HA011165	PL00X-500-10M10-2	AC-HA011166	PL00Y-500-10M10-2	AC-HA011167	PL00U-500-10M10-2	AC-HA011168	PL00V-500-10M10-2	AC-HA011169	PL00W-500-10M10-2	AC-HA011170	PL00X-500-10D8-2	AC-HA011171	PL00Y-500-10D8-2	AC-HA011172	PL00U-500-10D8-2	AC-HA011173	PL00V-500-10D8-2	AC-HA011174	PL00W-500-10D8-2	AC-HA011175	PL00X-500-10D10-2	AC-HA011176	PL00Y-500-10D10-2	AC-HA011177	PL00U-500-10D10-2	AC-HA011178	PL00V-500-10D10-2	AC-HA011179	PL00W-500-10D10-2	AC-HA011180	PL00X-501-10M8-2	AC-HA011181	PL00Y-501-10M8-2	AC-HA011182	PL00U-501-10M8-2	AC-HA011183	PL00V-501-10M8-2	AC-HA011184	PL00W-501-10M8-2	AC-HA011185	PL00X-501-10M10-2	AC-HA011186	PL00Y-501-10M10-2	AC-HA011187	PL00U-501-10M10-2	AC-HA011188	PL00V-501-10M10-2	AC-HA011189	PL00W-501-10M10-2	AC-HA011190	PL00X-501-10D8-2	AC-HA011191	PL00Y-501-10D8-2	AC-HA011192	PL00U-501-10D8-2	AC-HA011193	PL00V-501-10D8-2	AC-HA011194	PL00W-501-10D8-2	AC-HA011195	PL00X-501-10D10-2	AC-HA011196	PL00Y-501-10D10-2	AC-HA011197	PL00U-501-10D10-2	AC-HA011198	PL00V-501-10D10-2	AC-HA011199	PL00W-501-10D10-2	AC-HA011969	PL00T-500-10D8-2	AC-HA011970	PL00T-500-10M8-2	AC-HA011971	PL00T-500-10M10-2	AC-HA011972	PL00T-500-10D10-2	AC-HA011973	PL00T-501-10D8-2	AC-HA011974	PL00T-501-10M8-2	AC-HA011975	PL00T-501-10M10-2	AC-HA011976	PL00T-501-10D10-2	<table border="1" style="width:100%; border-collapse: collapse;"> <thead> <tr> <th>P/N 料号</th> <th>Model No. 型号</th> </tr> </thead> <tbody> <tr><td>AC-HA017583</td><td>PL00X-500-10M6-2</td></tr> <tr><td>AC-HA017584</td><td>PL00Y-500-10M6-2</td></tr> <tr><td>AC-HA017585</td><td>PL00U-500-10M6-2</td></tr> <tr><td>AC-HA017586</td><td>PL00V-500-10M6-2</td></tr> <tr><td>AC-HA017587</td><td>PL00W-500-10M6-2</td></tr> <tr><td>AC-HA017588</td><td>PL00T-500-10M6-2</td></tr> <tr><td>AC-HA017589</td><td>PL00X-501-10M6-2</td></tr> <tr><td>AC-HA017590</td><td>PL00Y-501-10M6-2</td></tr> <tr><td>AC-HA017591</td><td>PL00U-501-10M6-2</td></tr> <tr><td>AC-HA017592</td><td>PL00V-501-10M6-2</td></tr> <tr><td>AC-HA017593</td><td>PL00W-501-10M6-2</td></tr> <tr><td>AC-HA017594</td><td>PL00T-501-10M6-2</td></tr> <tr><td>AC-HA016486</td><td>PL00X-500-10PM8-2</td></tr> <tr><td>AC-HA016487</td><td>PL00Y-500-10PM8-2</td></tr> <tr><td>AC-HA016488</td><td>PL00U-500-10PM8-2</td></tr> <tr><td>AC-HA016489</td><td>PL00V-500-10PM8-2</td></tr> <tr><td>AC-HA016490</td><td>PL00W-500-10PM8-2</td></tr> <tr><td>AC-HA016491</td><td>PL00T-500-10PM8-2</td></tr> <tr><td>AC-HA016492</td><td>PL00X-501-10PM8-2</td></tr> <tr><td>AC-HA016493</td><td>PL00Y-501-10PM8-2</td></tr> <tr><td>AC-HA016494</td><td>PL00U-501-10PM8-2</td></tr> <tr><td>AC-HA016495</td><td>PL00V-501-10PM8-2</td></tr> <tr><td>AC-HA016496</td><td>PL00W-501-10PM8-2</td></tr> <tr><td>AC-HA016497</td><td>PL00T-501-10PM8-2</td></tr> </tbody> </table>		P/N 料号	Model No. 型号	AC-HA017583	PL00X-500-10M6-2	AC-HA017584	PL00Y-500-10M6-2	AC-HA017585	PL00U-500-10M6-2	AC-HA017586	PL00V-500-10M6-2	AC-HA017587	PL00W-500-10M6-2	AC-HA017588	PL00T-500-10M6-2	AC-HA017589	PL00X-501-10M6-2	AC-HA017590	PL00Y-501-10M6-2	AC-HA017591	PL00U-501-10M6-2	AC-HA017592	PL00V-501-10M6-2	AC-HA017593	PL00W-501-10M6-2	AC-HA017594	PL00T-501-10M6-2	AC-HA016486	PL00X-500-10PM8-2	AC-HA016487	PL00Y-500-10PM8-2	AC-HA016488	PL00U-500-10PM8-2	AC-HA016489	PL00V-500-10PM8-2	AC-HA016490	PL00W-500-10PM8-2	AC-HA016491	PL00T-500-10PM8-2	AC-HA016492	PL00X-501-10PM8-2	AC-HA016493	PL00Y-501-10PM8-2	AC-HA016494	PL00U-501-10PM8-2	AC-HA016495	PL00V-501-10PM8-2	AC-HA016496	PL00W-501-10PM8-2	AC-HA016497	PL00T-501-10PM8-2	△ C	<table border="1" style="width:100%; border-collapse: collapse;"> <thead> <tr> <th colspan="6">REVISIONS</th> </tr> <tr> <th>REV#</th> <th>ECN#</th> <th>REVISION ACTION</th> <th>REV. BY:</th> <th>APPR. BY:</th> <th>DATE</th> </tr> </thead> <tbody> <tr> <td>A</td> <td>--</td> <td>INITIAL RELEASE</td> <td>YM</td> <td>JL</td> <td>02/17/2020</td> </tr> <tr> <td>C</td> <td>--</td> <td>Add dust cap, oring and M6 PM8 specifications</td> <td>Star</td> <td>James</td> <td>12/30/2020</td> </tr> <tr> <td>D</td> <td>--</td> <td>Add detailed view of lug</td> <td>Star</td> <td>JL</td> <td>06/17/2021</td> </tr> <tr> <td>E</td> <td>--</td> <td>Change the temperature of technical points</td> <td>Star</td> <td>JL</td> <td>12/03/2021</td> </tr> <tr> <td>F</td> <td>--</td> <td>Add chamfer for hole position</td> <td>Star</td> <td>JL</td> <td>01/14/2022</td> </tr> <tr> <td>G</td> <td>--</td> <td>Change operating temperature and voltage</td> <td>JS</td> <td>JL</td> <td>08/16/2022</td> </tr> <tr> <td>H</td> <td>--</td> <td>Change dielectric withstanding voltage</td> <td>JS</td> <td>JL</td> <td>03/01/2023</td> </tr> <tr> <td>I</td> <td>--</td> <td>Change operating temperature</td> <td>JS</td> <td>JL</td> <td>09/24/2024</td> </tr> </tbody> </table>	REVISIONS						REV#	ECN#	REVISION ACTION	REV. BY:	APPR. BY:	DATE	A	--	INITIAL RELEASE	YM	JL	02/17/2020	C	--	Add dust cap, oring and M6 PM8 specifications	Star	James	12/30/2020	D	--	Add detailed view of lug	Star	JL	06/17/2021	E	--	Change the temperature of technical points	Star	JL	12/03/2021	F	--	Add chamfer for hole position	Star	JL	01/14/2022	G	--	Change operating temperature and voltage	JS	JL	08/16/2022	H	--	Change dielectric withstanding voltage	JS	JL	03/01/2023	I	--	Change operating temperature	JS	JL	09/24/2024	△ D	△ D	△ D
P/N 料号	Model No. 型号																																																																																																																																																																																																																							
AC-HA011160	PL00X-500-10M8-2																																																																																																																																																																																																																							
AC-HA011161	PL00Y-500-10M8-2																																																																																																																																																																																																																							
AC-HA011162	PL00U-500-10M8-2																																																																																																																																																																																																																							
AC-HA011163	PL00V-500-10M8-2																																																																																																																																																																																																																							
AC-HA011164	PL00W-500-10M8-2																																																																																																																																																																																																																							
AC-HA011165	PL00X-500-10M10-2																																																																																																																																																																																																																							
AC-HA011166	PL00Y-500-10M10-2																																																																																																																																																																																																																							
AC-HA011167	PL00U-500-10M10-2																																																																																																																																																																																																																							
AC-HA011168	PL00V-500-10M10-2																																																																																																																																																																																																																							
AC-HA011169	PL00W-500-10M10-2																																																																																																																																																																																																																							
AC-HA011170	PL00X-500-10D8-2																																																																																																																																																																																																																							
AC-HA011171	PL00Y-500-10D8-2																																																																																																																																																																																																																							
AC-HA011172	PL00U-500-10D8-2																																																																																																																																																																																																																							
AC-HA011173	PL00V-500-10D8-2																																																																																																																																																																																																																							
AC-HA011174	PL00W-500-10D8-2																																																																																																																																																																																																																							
AC-HA011175	PL00X-500-10D10-2																																																																																																																																																																																																																							
AC-HA011176	PL00Y-500-10D10-2																																																																																																																																																																																																																							
AC-HA011177	PL00U-500-10D10-2																																																																																																																																																																																																																							
AC-HA011178	PL00V-500-10D10-2																																																																																																																																																																																																																							
AC-HA011179	PL00W-500-10D10-2																																																																																																																																																																																																																							
AC-HA011180	PL00X-501-10M8-2																																																																																																																																																																																																																							
AC-HA011181	PL00Y-501-10M8-2																																																																																																																																																																																																																							
AC-HA011182	PL00U-501-10M8-2																																																																																																																																																																																																																							
AC-HA011183	PL00V-501-10M8-2																																																																																																																																																																																																																							
AC-HA011184	PL00W-501-10M8-2																																																																																																																																																																																																																							
AC-HA011185	PL00X-501-10M10-2																																																																																																																																																																																																																							
AC-HA011186	PL00Y-501-10M10-2																																																																																																																																																																																																																							
AC-HA011187	PL00U-501-10M10-2																																																																																																																																																																																																																							
AC-HA011188	PL00V-501-10M10-2																																																																																																																																																																																																																							
AC-HA011189	PL00W-501-10M10-2																																																																																																																																																																																																																							
AC-HA011190	PL00X-501-10D8-2																																																																																																																																																																																																																							
AC-HA011191	PL00Y-501-10D8-2																																																																																																																																																																																																																							
AC-HA011192	PL00U-501-10D8-2																																																																																																																																																																																																																							
AC-HA011193	PL00V-501-10D8-2																																																																																																																																																																																																																							
AC-HA011194	PL00W-501-10D8-2																																																																																																																																																																																																																							
AC-HA011195	PL00X-501-10D10-2																																																																																																																																																																																																																							
AC-HA011196	PL00Y-501-10D10-2																																																																																																																																																																																																																							
AC-HA011197	PL00U-501-10D10-2																																																																																																																																																																																																																							
AC-HA011198	PL00V-501-10D10-2																																																																																																																																																																																																																							
AC-HA011199	PL00W-501-10D10-2																																																																																																																																																																																																																							
AC-HA011969	PL00T-500-10D8-2																																																																																																																																																																																																																							
AC-HA011970	PL00T-500-10M8-2																																																																																																																																																																																																																							
AC-HA011971	PL00T-500-10M10-2																																																																																																																																																																																																																							
AC-HA011972	PL00T-500-10D10-2																																																																																																																																																																																																																							
AC-HA011973	PL00T-501-10D8-2																																																																																																																																																																																																																							
AC-HA011974	PL00T-501-10M8-2																																																																																																																																																																																																																							
AC-HA011975	PL00T-501-10M10-2																																																																																																																																																																																																																							
AC-HA011976	PL00T-501-10D10-2																																																																																																																																																																																																																							
P/N 料号	Model No. 型号																																																																																																																																																																																																																							
AC-HA017583	PL00X-500-10M6-2																																																																																																																																																																																																																							
AC-HA017584	PL00Y-500-10M6-2																																																																																																																																																																																																																							
AC-HA017585	PL00U-500-10M6-2																																																																																																																																																																																																																							
AC-HA017586	PL00V-500-10M6-2																																																																																																																																																																																																																							
AC-HA017587	PL00W-500-10M6-2																																																																																																																																																																																																																							
AC-HA017588	PL00T-500-10M6-2																																																																																																																																																																																																																							
AC-HA017589	PL00X-501-10M6-2																																																																																																																																																																																																																							
AC-HA017590	PL00Y-501-10M6-2																																																																																																																																																																																																																							
AC-HA017591	PL00U-501-10M6-2																																																																																																																																																																																																																							
AC-HA017592	PL00V-501-10M6-2																																																																																																																																																																																																																							
AC-HA017593	PL00W-501-10M6-2																																																																																																																																																																																																																							
AC-HA017594	PL00T-501-10M6-2																																																																																																																																																																																																																							
AC-HA016486	PL00X-500-10PM8-2																																																																																																																																																																																																																							
AC-HA016487	PL00Y-500-10PM8-2																																																																																																																																																																																																																							
AC-HA016488	PL00U-500-10PM8-2																																																																																																																																																																																																																							
AC-HA016489	PL00V-500-10PM8-2																																																																																																																																																																																																																							
AC-HA016490	PL00W-500-10PM8-2																																																																																																																																																																																																																							
AC-HA016491	PL00T-500-10PM8-2																																																																																																																																																																																																																							
AC-HA016492	PL00X-501-10PM8-2																																																																																																																																																																																																																							
AC-HA016493	PL00Y-501-10PM8-2																																																																																																																																																																																																																							
AC-HA016494	PL00U-501-10PM8-2																																																																																																																																																																																																																							
AC-HA016495	PL00V-501-10PM8-2																																																																																																																																																																																																																							
AC-HA016496	PL00W-501-10PM8-2																																																																																																																																																																																																																							
AC-HA016497	PL00T-501-10PM8-2																																																																																																																																																																																																																							
REVISIONS																																																																																																																																																																																																																								
REV#	ECN#	REVISION ACTION	REV. BY:	APPR. BY:	DATE																																																																																																																																																																																																																			
A	--	INITIAL RELEASE	YM	JL	02/17/2020																																																																																																																																																																																																																			
C	--	Add dust cap, oring and M6 PM8 specifications	Star	James	12/30/2020																																																																																																																																																																																																																			
D	--	Add detailed view of lug	Star	JL	06/17/2021																																																																																																																																																																																																																			
E	--	Change the temperature of technical points	Star	JL	12/03/2021																																																																																																																																																																																																																			
F	--	Add chamfer for hole position	Star	JL	01/14/2022																																																																																																																																																																																																																			
G	--	Change operating temperature and voltage	JS	JL	08/16/2022																																																																																																																																																																																																																			
H	--	Change dielectric withstanding voltage	JS	JL	03/01/2023																																																																																																																																																																																																																			
I	--	Change operating temperature	JS	JL	09/24/2024																																																																																																																																																																																																																			
				△ D	<table border="1" style="width:100%; border-collapse: collapse;"> <tr> <td style="text-align: center;">DETAIL D</td> <td style="text-align: center;">DETAIL E SCALE 2 : 3</td> <td> <table border="1" style="width:100%; border-collapse: collapse;"> <thead> <tr> <th>Model No</th> <th>Through hole size DX</th> </tr> </thead> <tbody> <tr> <td>PL00-50X-10D8-2</td> <td style="text-align: center;">∅ 8.50</td> </tr> <tr> <td>PL00-50X-10D10-2</td> <td style="text-align: center;">∅ 10.50</td> </tr> </tbody> </table> </td> </tr> </table>			DETAIL D	DETAIL E SCALE 2 : 3	<table border="1" style="width:100%; border-collapse: collapse;"> <thead> <tr> <th>Model No</th> <th>Through hole size DX</th> </tr> </thead> <tbody> <tr> <td>PL00-50X-10D8-2</td> <td style="text-align: center;">∅ 8.50</td> </tr> <tr> <td>PL00-50X-10D10-2</td> <td style="text-align: center;">∅ 10.50</td> </tr> </tbody> </table>	Model No	Through hole size DX	PL00-50X-10D8-2	∅ 8.50	PL00-50X-10D10-2	∅ 10.50																																																																																																																																																																																																								
DETAIL D	DETAIL E SCALE 2 : 3	<table border="1" style="width:100%; border-collapse: collapse;"> <thead> <tr> <th>Model No</th> <th>Through hole size DX</th> </tr> </thead> <tbody> <tr> <td>PL00-50X-10D8-2</td> <td style="text-align: center;">∅ 8.50</td> </tr> <tr> <td>PL00-50X-10D10-2</td> <td style="text-align: center;">∅ 10.50</td> </tr> </tbody> </table>	Model No	Through hole size DX	PL00-50X-10D8-2	∅ 8.50	PL00-50X-10D10-2	∅ 10.50																																																																																																																																																																																																																
Model No	Through hole size DX																																																																																																																																																																																																																							
PL00-50X-10D8-2	∅ 8.50																																																																																																																																																																																																																							
PL00-50X-10D10-2	∅ 10.50																																																																																																																																																																																																																							
				△ D	<table border="1" style="width:100%; border-collapse: collapse;"> <tr> <td style="text-align: center;">DETAIL D</td> <td style="text-align: center;">DETAIL E SCALE 2 : 3</td> <td> <table border="1" style="width:100%; border-collapse: collapse;"> <thead> <tr> <th>Model No</th> <th>Punch Nut size MX</th> </tr> </thead> <tbody> <tr> <td>PL00-50X-10PM8-2</td> <td style="text-align: center;">M8</td> </tr> </tbody> </table> </td> </tr> </table>			DETAIL D	DETAIL E SCALE 2 : 3	<table border="1" style="width:100%; border-collapse: collapse;"> <thead> <tr> <th>Model No</th> <th>Punch Nut size MX</th> </tr> </thead> <tbody> <tr> <td>PL00-50X-10PM8-2</td> <td style="text-align: center;">M8</td> </tr> </tbody> </table>	Model No	Punch Nut size MX	PL00-50X-10PM8-2	M8																																																																																																																																																																																																										
DETAIL D	DETAIL E SCALE 2 : 3	<table border="1" style="width:100%; border-collapse: collapse;"> <thead> <tr> <th>Model No</th> <th>Punch Nut size MX</th> </tr> </thead> <tbody> <tr> <td>PL00-50X-10PM8-2</td> <td style="text-align: center;">M8</td> </tr> </tbody> </table>	Model No	Punch Nut size MX	PL00-50X-10PM8-2	M8																																																																																																																																																																																																																		
Model No	Punch Nut size MX																																																																																																																																																																																																																							
PL00-50X-10PM8-2	M8																																																																																																																																																																																																																							
				△ D	<table border="1" style="width:100%; border-collapse: collapse;"> <tr> <td style="text-align: center;">DETAIL D</td> <td style="text-align: center;">DETAIL E SCALE 2 : 3</td> <td> <table border="1" style="width:100%; border-collapse: collapse;"> <thead> <tr> <th>Model No</th> <th>Thread hole size MX</th> </tr> </thead> <tbody> <tr> <td>PL00-50X-10M6-2</td> <td style="text-align: center;">M6</td> </tr> <tr> <td>PL00-50X-10M8-2</td> <td style="text-align: center;">M8</td> </tr> <tr> <td>PL00-50X-10M10-2</td> <td style="text-align: center;">M10</td> </tr> </tbody> </table> </td> </tr> </table>			DETAIL D	DETAIL E SCALE 2 : 3	<table border="1" style="width:100%; border-collapse: collapse;"> <thead> <tr> <th>Model No</th> <th>Thread hole size MX</th> </tr> </thead> <tbody> <tr> <td>PL00-50X-10M6-2</td> <td style="text-align: center;">M6</td> </tr> <tr> <td>PL00-50X-10M8-2</td> <td style="text-align: center;">M8</td> </tr> <tr> <td>PL00-50X-10M10-2</td> <td style="text-align: center;">M10</td> </tr> </tbody> </table>	Model No	Thread hole size MX	PL00-50X-10M6-2	M6	PL00-50X-10M8-2	M8	PL00-50X-10M10-2	M10																																																																																																																																																																																																						
DETAIL D	DETAIL E SCALE 2 : 3	<table border="1" style="width:100%; border-collapse: collapse;"> <thead> <tr> <th>Model No</th> <th>Thread hole size MX</th> </tr> </thead> <tbody> <tr> <td>PL00-50X-10M6-2</td> <td style="text-align: center;">M6</td> </tr> <tr> <td>PL00-50X-10M8-2</td> <td style="text-align: center;">M8</td> </tr> <tr> <td>PL00-50X-10M10-2</td> <td style="text-align: center;">M10</td> </tr> </tbody> </table>	Model No	Thread hole size MX	PL00-50X-10M6-2	M6	PL00-50X-10M8-2	M8	PL00-50X-10M10-2	M10																																																																																																																																																																																																														
Model No	Thread hole size MX																																																																																																																																																																																																																							
PL00-50X-10M6-2	M6																																																																																																																																																																																																																							
PL00-50X-10M8-2	M8																																																																																																																																																																																																																							
PL00-50X-10M10-2	M10																																																																																																																																																																																																																							
				△ D	<table border="1" style="width:100%; border-collapse: collapse;"> <tr> <td style="text-align: center;">DETAIL D</td> <td style="text-align: center;">DETAIL E SCALE 2 : 3</td> <td> <table border="1" style="width:100%; border-collapse: collapse;"> <thead> <tr> <th>Model No</th> <th>Thread hole size MX</th> </tr> </thead> <tbody> <tr> <td>PL00-50X-10M6-2</td> <td style="text-align: center;">M6</td> </tr> <tr> <td>PL00-50X-10M8-2</td> <td style="text-align: center;">M8</td> </tr> <tr> <td>PL00-50X-10M10-2</td> <td style="text-align: center;">M10</td> </tr> </tbody> </table> </td> </tr> </table>			DETAIL D	DETAIL E SCALE 2 : 3	<table border="1" style="width:100%; border-collapse: collapse;"> <thead> <tr> <th>Model No</th> <th>Thread hole size MX</th> </tr> </thead> <tbody> <tr> <td>PL00-50X-10M6-2</td> <td style="text-align: center;">M6</td> </tr> <tr> <td>PL00-50X-10M8-2</td> <td style="text-align: center;">M8</td> </tr> <tr> <td>PL00-50X-10M10-2</td> <td style="text-align: center;">M10</td> </tr> </tbody> </table>	Model No	Thread hole size MX	PL00-50X-10M6-2	M6	PL00-50X-10M8-2	M8	PL00-50X-10M10-2	M10																																																																																																																																																																																																						
DETAIL D	DETAIL E SCALE 2 : 3	<table border="1" style="width:100%; border-collapse: collapse;"> <thead> <tr> <th>Model No</th> <th>Thread hole size MX</th> </tr> </thead> <tbody> <tr> <td>PL00-50X-10M6-2</td> <td style="text-align: center;">M6</td> </tr> <tr> <td>PL00-50X-10M8-2</td> <td style="text-align: center;">M8</td> </tr> <tr> <td>PL00-50X-10M10-2</td> <td style="text-align: center;">M10</td> </tr> </tbody> </table>	Model No	Thread hole size MX	PL00-50X-10M6-2	M6	PL00-50X-10M8-2	M8	PL00-50X-10M10-2	M10																																																																																																																																																																																																														
Model No	Thread hole size MX																																																																																																																																																																																																																							
PL00-50X-10M6-2	M6																																																																																																																																																																																																																							
PL00-50X-10M8-2	M8																																																																																																																																																																																																																							
PL00-50X-10M10-2	M10																																																																																																																																																																																																																							
				△ D	<table border="1" style="width:100%; border-collapse: collapse;"> <tr> <td style="text-align: center;">DETAIL D</td> <td style="text-align: center;">DETAIL E SCALE 2 : 3</td> <td> <table border="1" style="width:100%; border-collapse: collapse;"> <thead> <tr> <th>Model No</th> <th>Thread hole size MX</th> </tr> </thead> <tbody> <tr> <td>PL00-50X-10M6-2</td> <td style="text-align: center;">M6</td> </tr> <tr> <td>PL00-50X-10M8-2</td> <td style="text-align: center;">M8</td> </tr> <tr> <td>PL00-50X-10M10-2</td> <td style="text-align: center;">M10</td> </tr> </tbody> </table> </td> </tr> </table>			DETAIL D	DETAIL E SCALE 2 : 3	<table border="1" style="width:100%; border-collapse: collapse;"> <thead> <tr> <th>Model No</th> <th>Thread hole size MX</th> </tr> </thead> <tbody> <tr> <td>PL00-50X-10M6-2</td> <td style="text-align: center;">M6</td> </tr> <tr> <td>PL00-50X-10M8-2</td> <td style="text-align: center;">M8</td> </tr> <tr> <td>PL00-50X-10M10-2</td> <td style="text-align: center;">M10</td> </tr> </tbody> </table>	Model No	Thread hole size MX	PL00-50X-10M6-2	M6	PL00-50X-10M8-2	M8	PL00-50X-10M10-2	M10																																																																																																																																																																																																						
DETAIL D	DETAIL E SCALE 2 : 3	<table border="1" style="width:100%; border-collapse: collapse;"> <thead> <tr> <th>Model No</th> <th>Thread hole size MX</th> </tr> </thead> <tbody> <tr> <td>PL00-50X-10M6-2</td> <td style="text-align: center;">M6</td> </tr> <tr> <td>PL00-50X-10M8-2</td> <td style="text-align: center;">M8</td> </tr> <tr> <td>PL00-50X-10M10-2</td> <td style="text-align: center;">M10</td> </tr> </tbody> </table>	Model No	Thread hole size MX	PL00-50X-10M6-2	M6	PL00-50X-10M8-2	M8	PL00-50X-10M10-2	M10																																																																																																																																																																																																														
Model No	Thread hole size MX																																																																																																																																																																																																																							
PL00-50X-10M6-2	M6																																																																																																																																																																																																																							
PL00-50X-10M8-2	M8																																																																																																																																																																																																																							
PL00-50X-10M10-2	M10																																																																																																																																																																																																																							
				△ D	<table border="1" style="width:100%; border-collapse: collapse;"> <tr> <td style="text-align: center;">DETAIL D</td> <td style="text-align: center;">DETAIL E SCALE 2 : 3</td> <td> <table border="1" style="width:100%; border-collapse: collapse;"> <thead> <tr> <th>Model No</th> <th>Thread hole size MX</th> </tr> </thead> <tbody> <tr> <td>PL00-50X-10M6-2</td> <td style="text-align: center;">M6</td> </tr> <tr> <td>PL00-50X-10M8-2</td> <td style="text-align: center;">M8</td> </tr> <tr> <td>PL00-50X-10M10-2</td> <td style="text-align: center;">M10</td> </tr> </tbody> </table> </td> </tr> </table>			DETAIL D	DETAIL E SCALE 2 : 3	<table border="1" style="width:100%; border-collapse: collapse;"> <thead> <tr> <th>Model No</th> <th>Thread hole size MX</th> </tr> </thead> <tbody> <tr> <td>PL00-50X-10M6-2</td> <td style="text-align: center;">M6</td> </tr> <tr> <td>PL00-50X-10M8-2</td> <td style="text-align: center;">M8</td> </tr> <tr> <td>PL00-50X-10M10-2</td> <td style="text-align: center;">M10</td> </tr> </tbody> </table>	Model No	Thread hole size MX	PL00-50X-10M6-2	M6	PL00-50X-10M8-2	M8	PL00-50X-10M10-2	M10																																																																																																																																																																																																						
DETAIL D	DETAIL E SCALE 2 : 3	<table border="1" style="width:100%; border-collapse: collapse;"> <thead> <tr> <th>Model No</th> <th>Thread hole size MX</th> </tr> </thead> <tbody> <tr> <td>PL00-50X-10M6-2</td> <td style="text-align: center;">M6</td> </tr> <tr> <td>PL00-50X-10M8-2</td> <td style="text-align: center;">M8</td> </tr> <tr> <td>PL00-50X-10M10-2</td> <td style="text-align: center;">M10</td> </tr> </tbody> </table>	Model No	Thread hole size MX	PL00-50X-10M6-2	M6	PL00-50X-10M8-2	M8	PL00-50X-10M10-2	M10																																																																																																																																																																																																														
Model No	Thread hole size MX																																																																																																																																																																																																																							
PL00-50X-10M6-2	M6																																																																																																																																																																																																																							
PL00-50X-10M8-2	M8																																																																																																																																																																																																																							
PL00-50X-10M10-2	M10																																																																																																																																																																																																																							
				△ D	<table border="1" style="width:100%; border-collapse: collapse;"> <tr> <td style="text-align: center;">DETAIL D</td> <td style="text-align: center;">DETAIL E SCALE 2 : 3</td> <td> <table border="1" style="width:100%; border-collapse: collapse;"> <thead> <tr> <th>Model No</th> <th>Thread hole size MX</th> </tr> </thead> <tbody> <tr> <td>PL00-50X-10M6-2</td> <td style="text-align: center;">M6</td> </tr> <tr> <td>PL00-50X-10M8-2</td> <td style="text-align: center;">M8</td> </tr> <tr> <td>PL00-50X-10M10-2</td> <td style="text-align: center;">M10</td> </tr> </tbody> </table> </td> </tr> </table>			DETAIL D	DETAIL E SCALE 2 : 3	<table border="1" style="width:100%; border-collapse: collapse;"> <thead> <tr> <th>Model No</th> <th>Thread hole size MX</th> </tr> </thead> <tbody> <tr> <td>PL00-50X-10M6-2</td> <td style="text-align: center;">M6</td> </tr> <tr> <td>PL00-50X-10M8-2</td> <td style="text-align: center;">M8</td> </tr> <tr> <td>PL00-50X-10M10-2</td> <td style="text-align: center;">M10</td> </tr> </tbody> </table>	Model No	Thread hole size MX	PL00-50X-10M6-2	M6	PL00-50X-10M8-2	M8	PL00-50X-10M10-2	M10																																																																																																																																																																																																						
DETAIL D	DETAIL E SCALE 2 : 3	<table border="1" style="width:100%; border-collapse: collapse;"> <thead> <tr> <th>Model No</th> <th>Thread hole size MX</th> </tr> </thead> <tbody> <tr> <td>PL00-50X-10M6-2</td> <td style="text-align: center;">M6</td> </tr> <tr> <td>PL00-50X-10M8-2</td> <td style="text-align: center;">M8</td> </tr> <tr> <td>PL00-50X-10M10-2</td> <td style="text-align: center;">M10</td> </tr> </tbody> </table>	Model No	Thread hole size MX	PL00-50X-10M6-2	M6	PL00-50X-10M8-2	M8	PL00-50X-10M10-2	M10																																																																																																																																																																																																														
Model No	Thread hole size MX																																																																																																																																																																																																																							
PL00-50X-10M6-2	M6																																																																																																																																																																																																																							
PL00-50X-10M8-2	M8																																																																																																																																																																																																																							
PL00-50X-10M10-2	M10																																																																																																																																																																																																																							
				△ D	<table border="1" style="width:100%; border-collapse: collapse;"> <tr> <td style="text-align: center;">DETAIL D</td> <td style="text-align: center;">DETAIL E SCALE 2 : 3</td> <td> <table border="1" style="width:100%; border-collapse: collapse;"> <thead> <tr> <th>Model No</th> <th>Thread hole size MX</th> </tr> </thead> <tbody> <tr> <td>PL00-50X-10M6-2</td> <td style="text-align: center;">M6</td> </tr> <tr> <td>PL00-50X-10M8-2</td> <td style="text-align: center;">M8</td> </tr> <tr> <td>PL00-50X-10M10-2</td> <td style="text-align: center;">M10</td> </tr> </tbody> </table> </td> </tr> </table>			DETAIL D	DETAIL E SCALE 2 : 3	<table border="1" style="width:100%; border-collapse: collapse;"> <thead> <tr> <th>Model No</th> <th>Thread hole size MX</th> </tr> </thead> <tbody> <tr> <td>PL00-50X-10M6-2</td> <td style="text-align: center;">M6</td> </tr> <tr> <td>PL00-50X-10M8-2</td> <td style="text-align: center;">M8</td> </tr> <tr> <td>PL00-50X-10M10-2</td> <td style="text-align: center;">M10</td> </tr> </tbody> </table>	Model No	Thread hole size MX	PL00-50X-10M6-2	M6	PL00-50X-10M8-2	M8	PL00-50X-10M10-2	M10																																																																																																																																																																																																						
DETAIL D	DETAIL E SCALE 2 : 3	<table border="1" style="width:100%; border-collapse: collapse;"> <thead> <tr> <th>Model No</th> <th>Thread hole size MX</th> </tr> </thead> <tbody> <tr> <td>PL00-50X-10M6-2</td> <td style="text-align: center;">M6</td> </tr> <tr> <td>PL00-50X-10M8-2</td> <td style="text-align: center;">M8</td> </tr> <tr> <td>PL00-50X-10M10-2</td> <td style="text-align: center;">M10</td> </tr> </tbody> </table>	Model No	Thread hole size MX	PL00-50X-10M6-2	M6	PL00-50X-10M8-2	M8	PL00-50X-10M10-2	M10																																																																																																																																																																																																														
Model No	Thread hole size MX																																																																																																																																																																																																																							
PL00-50X-10M6-2	M6																																																																																																																																																																																																																							
PL00-50X-10M8-2	M8																																																																																																																																																																																																																							
PL00-50X-10M10-2	M10																																																																																																																																																																																																																							
				△ D	<table border="1" style="width:100%; border-collapse: collapse;"> <tr> <td style="text-align: center;">DETAIL D</td> <td style="text-align: center;">DETAIL E SCALE 2 : 3</td> <td> <table border="1" style="width:100%; border-collapse: collapse;"> <thead> <tr> <th>Model No</th> <th>Thread hole size MX</th> </tr> </thead> <tbody> <tr> <td>PL00-50X-10M6-2</td> <td style="text-align: center;">M6</td> </tr> <tr> <td>PL00-50X-10M8-2</td> <td style="text-align: center;">M8</td> </tr> <tr> <td>PL00-50X-10M10-2</td> <td style="text-align: center;">M10</td> </tr> </tbody> </table> </td> </tr> </table>			DETAIL D	DETAIL E SCALE 2 : 3	<table border="1" style="width:100%; border-collapse: collapse;"> <thead> <tr> <th>Model No</th> <th>Thread hole size MX</th> </tr> </thead> <tbody> <tr> <td>PL00-50X-10M6-2</td> <td style="text-align: center;">M6</td> </tr> <tr> <td>PL00-50X-10M8-2</td> <td style="text-align: center;">M8</td> </tr> <tr> <td>PL00-50X-10M10-2</td> <td style="text-align: center;">M10</td> </tr> </tbody> </table>	Model No	Thread hole size MX	PL00-50X-10M6-2	M6	PL00-50X-10M8-2	M8	PL00-50X-10M10-2	M10																																																																																																																																																																																																						
DETAIL D	DETAIL E SCALE 2 : 3	<table border="1" style="width:100%; border-collapse: collapse;"> <thead> <tr> <th>Model No</th> <th>Thread hole size MX</th> </tr> </thead> <tbody> <tr> <td>PL00-50X-10M6-2</td> <td style="text-align: center;">M6</td> </tr> <tr> <td>PL00-50X-10M8-2</td> <td style="text-align: center;">M8</td> </tr> <tr> <td>PL00-50X-10M10-2</td> <td style="text-align: center;">M10</td> </tr> </tbody> </table>	Model No	Thread hole size MX	PL00-50X-10M6-2	M6	PL00-50X-10M8-2	M8	PL00-50X-10M10-2	M10																																																																																																																																																																																																														
Model No	Thread hole size MX																																																																																																																																																																																																																							
PL00-50X-10M6-2	M6																																																																																																																																																																																																																							
PL00-50X-10M8-2	M8																																																																																																																																																																																																																							
PL00-50X-10M10-2	M10																																																																																																																																																																																																																							
				△ D	<table border="1" style="width:100%; border-collapse: collapse;"> <tr> <td style="text-align: center;">DETAIL D</td> <td style="text-align: center;">DETAIL E SCALE 2 : 3</td> <td> <table border="1" style="width:100%; border-collapse: collapse;"> <thead> <tr> <th>Model No</th> <th>Thread hole size MX</th> </tr> </thead> <tbody> <tr> <td>PL00-50X-10M6-2</td> <td style="text-align: center;">M6</td> </tr> <tr> <td>PL00-50X-10M8-2</td> <td style="text-align: center;">M8</td> </tr> <tr> <td>PL00-50X-10M10-2</td> <td style="text-align: center;">M10</td> </tr> </tbody> </table> </td> </tr> </table>			DETAIL D	DETAIL E SCALE 2 : 3	<table border="1" style="width:100%; border-collapse: collapse;"> <thead> <tr> <th>Model No</th> <th>Thread hole size MX</th> </tr> </thead> <tbody> <tr> <td>PL00-50X-10M6-2</td> <td style="text-align: center;">M6</td> </tr> <tr> <td>PL00-50X-10M8-2</td> <td style="text-align: center;">M8</td> </tr> <tr> <td>PL00-50X-10M10-2</td> <td style="text-align: center;">M10</td> </tr> </tbody> </table>	Model No	Thread hole size MX	PL00-50X-10M6-2	M6	PL00-50X-10M8-2	M8	PL00-50X-10M10-2	M10																																																																																																																																																																																																						
DETAIL D	DETAIL E SCALE 2 : 3	<table border="1" style="width:100%; border-collapse: collapse;"> <thead> <tr> <th>Model No</th> <th>Thread hole size MX</th> </tr> </thead> <tbody> <tr> <td>PL00-50X-10M6-2</td> <td style="text-align: center;">M6</td> </tr> <tr> <td>PL00-50X-10M8-2</td> <td style="text-align: center;">M8</td> </tr> <tr> <td>PL00-50X-10M10-2</td> <td style="text-align: center;">M10</td> </tr> </tbody> </table>	Model No	Thread hole size MX	PL00-50X-10M6-2	M6	PL00-50X-10M8-2	M8	PL00-50X-10M10-2	M10																																																																																																																																																																																																														
Model No	Thread hole size MX																																																																																																																																																																																																																							
PL00-50X-10M6-2	M6																																																																																																																																																																																																																							
PL00-50X-10M8-2	M8																																																																																																																																																																																																																							
PL00-50X-10M10-2	M10																																																																																																																																																																																																																							
				△ D	<table border="1" style="width:100%; border-collapse: collapse;"> <tr> <td style="text-align: center;">DETAIL D</td> <td style="text-align: center;">DETAIL E SCALE 2 : 3</td> <td> <table border="1" style="width:100%; border-collapse: collapse;"> <thead> <tr> <th>Model No</th> <th>Thread hole size MX</th> </tr> </thead> <tbody> <tr> <td>PL00-50X-10M6-2</td> <td style="text-align: center;">M6</td> </tr> <tr> <td>PL00-50X-10M8-2</td> <td style="text-align: center;">M8</td> </tr> <tr> <td>PL00-50X-10M10-2</td> <td style="text-align: center;">M10</td> </tr> </tbody> </table> </td> </tr> </table>			DETAIL D	DETAIL E SCALE 2 : 3	<table border="1" style="width:100%; border-collapse: collapse;"> <thead> <tr> <th>Model No</th> <th>Thread hole size MX</th> </tr> </thead> <tbody> <tr> <td>PL00-50X-10M6-2</td> <td style="text-align: center;">M6</td> </tr> <tr> <td>PL00-50X-10M8-2</td> <td style="text-align: center;">M8</td> </tr> <tr> <td>PL00-50X-10M10-2</td> <td style="text-align: center;">M10</td> </tr> </tbody> </table>	Model No	Thread hole size MX	PL00-50X-10M6-2	M6	PL00-50X-10M8-2	M8	PL00-50X-10M10-2	M10																																																																																																																																																																																																						
DETAIL D	DETAIL E SCALE 2 : 3	<table border="1" style="width:100%; border-collapse: collapse;"> <thead> <tr> <th>Model No</th> <th>Thread hole size MX</th> </tr> </thead> <tbody> <tr> <td>PL00-50X-10M6-2</td> <td style="text-align: center;">M6</td> </tr> <tr> <td>PL00-50X-10M8-2</td> <td style="text-align: center;">M8</td> </tr> <tr> <td>PL00-50X-10M10-2</td> <td style="text-align: center;">M10</td> </tr> </tbody> </table>	Model No	Thread hole size MX	PL00-50X-10M6-2	M6	PL00-50X-10M8-2	M8	PL00-50X-10M10-2	M10																																																																																																																																																																																																														
Model No	Thread hole size MX																																																																																																																																																																																																																							
PL00-50X-10M6-2	M6																																																																																																																																																																																																																							
PL00-50X-10M8-2	M8																																																																																																																																																																																																																							
PL00-50X-10M10-2	M10																																																																																																																																																																																																																							
				△ D	<table border="1" style="width:100%; border-collapse: collapse;"> <tr> <td style="text-align: center;">DETAIL D</td> <td style="text-align: center;">DETAIL E SCALE 2 : 3</td> <td> <table border="1" style="width:100%; border-collapse: collapse;"> <thead> <tr> <th>Model No</th> <th>Thread hole size MX</th> </tr> </thead> <tbody> <tr> <td>PL00-50X-10M6-2</td> <td style="text-align: center;">M6</td> </tr> <tr> <td>PL00-50X-10M8-2</td> <td style="text-align: center;">M8</td> </tr> <tr> <td>PL00-50X-10M10-2</td> <td style="text-align: center;">M10</td> </tr> </tbody> </table> </td> </tr> </table>			DETAIL D	DETAIL E SCALE 2 : 3	<table border="1" style="width:100%; border-collapse: collapse;"> <thead> <tr> <th>Model No</th> <th>Thread hole size MX</th> </tr> </thead> <tbody> <tr> <td>PL00-50X-10M6-2</td> <td style="text-align: center;">M6</td> </tr> <tr> <td>PL00-50X-10M8-2</td> <td style="text-align: center;">M8</td> </tr> <tr> <td>PL00-50X-10M10-2</td> <td style="text-align: center;">M10</td> </tr> </tbody> </table>	Model No	Thread hole size MX	PL00-50X-10M6-2	M6	PL00-50X-10M8-2	M8	PL00-50X-10M10-2	M10																																																																																																																																																																																																						
DETAIL D	DETAIL E SCALE 2 : 3	<table border="1" style="width:100%; border-collapse: collapse;"> <thead> <tr> <th>Model No</th> <th>Thread hole size MX</th> </tr> </thead> <tbody> <tr> <td>PL00-50X-10M6-2</td> <td style="text-align: center;">M6</td> </tr> <tr> <td>PL00-50X-10M8-2</td> <td style="text-align: center;">M8</td> </tr> <tr> <td>PL00-50X-10M10-2</td> <td style="text-align: center;">M10</td> </tr> </tbody> </table>	Model No	Thread hole size MX	PL00-50X-10M6-2	M6	PL00-50X-10M8-2	M8	PL00-50X-10M10-2	M10																																																																																																																																																																																																														
Model No	Thread hole size MX																																																																																																																																																																																																																							
PL00-50X-10M6-2	M6																																																																																																																																																																																																																							
PL00-50X-10M8-2	M8																																																																																																																																																																																																																							
PL00-50X-10M10-2	M10																																																																																																																																																																																																																							
				△ D	<table border="1" style="width:100%; border-collapse: collapse;"> <tr> <td style="text-align: center;">DETAIL D</td> <td style="text-align: center;">DETAIL E SCALE 2 : 3</td> <td> <table border="1" style="width:100%; border-collapse: collapse;"> <thead> <tr> <th>Model No</th> <th>Thread hole size MX</th> </tr> </thead> <tbody> <tr> <td>PL00-50X-10M6-2</td> <td style="text-align: center;">M6</td> </tr> <tr> <td>PL00-50X-10M8-2</td> <td style="text-align: center;">M8</td> </tr> <tr> <td>PL00-50X-10M10-2</td> <td style="text-align: center;">M10</td> </tr> </tbody> </table> </td> </tr> </table>			DETAIL D	DETAIL E SCALE 2 : 3	<table border="1" style="width:100%; border-collapse: collapse;"> <thead> <tr> <th>Model No</th> <th>Thread hole size MX</th> </tr> </thead> <tbody> <tr> <td>PL00-50X-10M6-2</td> <td style="text-align: center;">M6</td> </tr> <tr> <td>PL00-50X-10M8-2</td> <td style="text-align: center;">M8</td> </tr> <tr> <td>PL00-50X-10M10-2</td> <td style="text-align: center;">M10</td> </tr> </tbody> </table>	Model No	Thread hole size MX	PL00-50X-10M6-2	M6	PL00-50X-10M8-2	M8	PL00-50X-10M10-2	M10																																																																																																																																																																																																						
DETAIL D	DETAIL E SCALE 2 : 3	<table border="1" style="width:100%; border-collapse: collapse;"> <thead> <tr> <th>Model No</th> <th>Thread hole size MX</th> </tr> </thead> <tbody> <tr> <td>PL00-50X-10M6-2</td> <td style="text-align: center;">M6</td> </tr> <tr> <td>PL00-50X-10M8-2</td> <td style="text-align: center;">M8</td> </tr> <tr> <td>PL00-50X-10M10-2</td> <td style="text-align: center;">M10</td> </tr> </tbody> </table>	Model No	Thread hole size MX	PL00-50X-10M6-2	M6	PL00-50X-10M8-2	M8	PL00-50X-10M10-2	M10																																																																																																																																																																																																														
Model No	Thread hole size MX																																																																																																																																																																																																																							
PL00-50X-10M6-2	M6																																																																																																																																																																																																																							
PL00-50X-10M8-2	M8																																																																																																																																																																																																																							
PL00-50X-10M10-2	M10																																																																																																																																																																																																																							
				△ D	<table border="1" style="width:100%; border-collapse: collapse;"> <tr> <td style="text-align: center;">DETAIL D</td> <td style="text-align: center;">DETAIL E SCALE 2 : 3</td> <td> <table border="1" style="width:100%; border-collapse: collapse;"> <thead> <tr> <th>Model No</th> <th>Thread hole size MX</th> </tr> </thead> <tbody> <tr> <td>PL00-50X-10M6-2</td> <td style="text-align: center;">M6</td> </tr> <tr> <td>PL00-50X-10M8-2</td> <td style="text-align: center;">M8</td> </tr> <tr> <td>PL00-50X-10M10-2</td> <td style="text-align: center;">M10</td> </tr> </tbody> </table> </td> </tr> </table>			DETAIL D	DETAIL E SCALE 2 : 3	<table border="1" style="width:100%; border-collapse: collapse;"> <thead> <tr> <th>Model No</th> <th>Thread hole size MX</th> </tr> </thead> <tbody> <tr> <td>PL00-50X-10M6-2</td> <td style="text-align: center;">M6</td> </tr> <tr> <td>PL00-50X-10M8-2</td> <td style="text-align: center;">M8</td> </tr> <tr> <td>PL00-50X-10M10-2</td> <td style="text-align: center;">M10</td> </tr> </tbody> </table>	Model No	Thread hole size MX	PL00-50X-10M6-2	M6	PL00-50X-10M8-2	M8	PL00-50X-10M10-2	M10																																																																																																																																																																																																						
DETAIL D	DETAIL E SCALE 2 : 3	<table border="1" style="width:100%; border-collapse: collapse;"> <thead> <tr> <th>Model No</th> <th>Thread hole size MX</th> </tr> </thead> <tbody> <tr> <td>PL00-50X-10M6-2</td> <td style="text-align: center;">M6</td> </tr> <tr> <td>PL00-50X-10M8-2</td> <td style="text-align: center;">M8</td> </tr> <tr> <td>PL00-50X-10M10-2</td> <td style="text-align: center;">M10</td> </tr> </tbody> </table>	Model No	Thread hole size MX	PL00-50X-10M6-2	M6	PL00-50X-10M8-2	M8	PL00-50X-10M10-2	M10																																																																																																																																																																																																														
Model No	Thread hole size MX																																																																																																																																																																																																																							
PL00-50X-10M6-2	M6																																																																																																																																																																																																																							
PL00-50X-10M8-2	M8																																																																																																																																																																																																																							
PL00-50X-10M10-2	M10																																																																																																																																																																																																																							
				△ D	<table border="1" style="width:100%; border-collapse: collapse;"> <tr> <td style="text-align: center;">DETAIL D</td> <td style="text-align: center;">DETAIL E SCALE 2 : 3</td> <td> <table border="1" style="width:100%; border-collapse: collapse;"> <thead> <tr> <th>Model No</th> <th>Thread hole size MX</th> </tr> </thead> <tbody> <tr> <td>PL00-50X-10M6-2</td> <td style="text-align: center;">M6</td> </tr> <tr> <td>PL00-50X-10M8-2</td> <td style="text-align: center;">M8</td> </tr> <tr> <td>PL00-50X-10M10-2</td> <td style="text-align: center;">M10</td> </tr> </tbody> </table> </td> </tr> </table>			DETAIL D	DETAIL E SCALE 2 : 3	<table border="1" style="width:100%; border-collapse: collapse;"> <thead> <tr> <th>Model No</th> <th>Thread hole size MX</th> </tr> </thead> <tbody> <tr> <td>PL00-50X-10M6-2</td> <td style="text-align: center;">M6</td> </tr> <tr> <td>PL00-50X-10M8-2</td> <td style="text-align: center;">M8</td> </tr> <tr> <td>PL00-50X-10M10-2</td> <td style="text-align: center;">M10</td> </tr> </tbody> </table>	Model No	Thread hole size MX	PL00-50X-10M6-2	M6	PL00-50X-10M8-2	M8	PL00-50X-10M10-2	M10																																																																																																																																																																																																						
DETAIL D	DETAIL E SCALE 2 : 3	<table border="1" style="width:100%; border-collapse: collapse;"> <thead> <tr> <th>Model No</th> <th>Thread hole size MX</th> </tr> </thead> <tbody> <tr> <td>PL00-50X-10M6-2</td> <td style="text-align: center;">M6</td> </tr> <tr> <td>PL00-50X-10M8-2</td> <td style="text-align: center;">M8</td> </tr> <tr> <td>PL00-50X-10M10-2</td> <td style="text-align: center;">M10</td> </tr> </tbody> </table>	Model No	Thread hole size MX	PL00-50X-10M6-2	M6	PL00-50X-10M8-2	M8	PL00-50X-10M10-2	M10																																																																																																																																																																																																														
Model No	Thread hole size MX																																																																																																																																																																																																																							
PL00-50X-10M6-2	M6																																																																																																																																																																																																																							
PL00-50X-10M8-2	M8																																																																																																																																																																																																																							
PL00-50X-10M10-2	M10																																																																																																																																																																																																																							
				△ D	<table border="1" style="width:100%; border-collapse: collapse;"> <tr> <td style="text-align: center;">DETAIL D</td> <td style="text-align: center;">DETAIL E SCALE 2 : 3</td> <td> <table border="1" style="width:100%; border-collapse: collapse;"> <thead> <tr> <th>Model No</th> <th>Thread hole size MX</th> </tr> </thead> <tbody> <tr> <td>PL00-50X-10M6-2</td> <td style="text-align: center;">M6</td> </tr> <tr> <td>PL00-50X-10M8-2</td> <td style="text-align: center;">M8</td> </tr> <tr> <td>PL00-50X-10M10-2</td> <td style="text-align: center;">M10</td> </tr> </tbody> </table> </td> </tr> </table>			DETAIL D	DETAIL E SCALE 2 : 3	<table border="1" style="width:100%; border-collapse: collapse;"> <thead> <tr> <th>Model No</th> <th>Thread hole size MX</th> </tr> </thead> <tbody> <tr> <td>PL00-50X-10M6-2</td> <td style="text-align: center;">M6</td> </tr> <tr> <td>PL00-50X-10M8-2</td> <td style="text-align: center;">M8</td> </tr> <tr> <td>PL00-50X-10M10-2</td> <td style="text-align: center;">M10</td> </tr> </tbody> </table>	Model No	Thread hole size MX	PL00-50X-10M6-2	M6	PL00-50X-10M8-2	M8	PL00-50X-10M10-2	M10																																																																																																																																																																																																						
DETAIL D	DETAIL E SCALE 2 : 3	<table border="1" style="width:100%; border-collapse: collapse;"> <thead> <tr> <th>Model No</th> <th>Thread hole size MX</th> </tr> </thead> <tbody> <tr> <td>PL00-50X-10M6-2</td> <td style="text-align: center;">M6</td> </tr> <tr> <td>PL00-50X-10M8-2</td> <td style="text-align: center;">M8</td> </tr> <tr> <td>PL00-50X-10M10-2</td> <td style="text-align: center;">M10</td> </tr> </tbody> </table>	Model No	Thread hole size MX	PL00-50X-10M6-2	M6	PL00-50X-10M8-2	M8	PL00-50X-10M10-2	M10																																																																																																																																																																																																														
Model No	Thread hole size MX																																																																																																																																																																																																																							
PL00-50X-10M6-2	M6																																																																																																																																																																																																																							
PL00-50X-10M8-2	M8																																																																																																																																																																																																																							
PL00-50X-10M10-2	M10																																																																																																																																																																																																																							
				△ D	<table border="1" style="width:100%; border-collapse: collapse;"> <tr> <td style="text-align: center;">DETAIL D</td> <td style="text-align: center;">DETAIL E SCALE 2 : 3</td> <td> <table border="1" style="width:100%; border-collapse: collapse;"> <thead> <tr> <th>Model No</th> <th>Thread hole size MX</th> </tr> </thead> <tbody> <tr> <td>PL00-50X-10M6-2</td> <td style="text-align: center;">M6</td> </tr> <tr> <td>PL00-50X-10M8-2</td> <td style="text-align: center;">M8</td> </tr> <tr> <td>PL00-50X-10M10-2</td> <td style="text-align: center;">M10</td> </tr> </tbody> </table> </td> </tr> </table>			DETAIL D	DETAIL E SCALE 2 : 3	<table border="1" style="width:100%; border-collapse: collapse;"> <thead> <tr> <th>Model No</th> <th>Thread hole size MX</th> </tr> </thead> <tbody> <tr> <td>PL00-50X-10M6-2</td> <td style="text-align: center;">M6</td> </tr> <tr> <td>PL00-50X-10M8-2</td> <td style="text-align: center;">M8</td> </tr> <tr> <td>PL00-50X-10M10-2</td> <td style="text-align: center;">M10</td> </tr> </tbody> </table>	Model No	Thread hole size MX	PL00-50X-10M6-2	M6	PL00-50X-10M8-2	M8	PL00-50X-10M10-2	M10																																																																																																																																																																																																						
DETAIL D	DETAIL E SCALE 2 : 3	<table border="1" style="width:100%; border-collapse: collapse;"> <thead> <tr> <th>Model No</th> <th>Thread hole size MX</th> </tr> </thead> <tbody> <tr> <td>PL00-50X-10M6-2</td> <td style="text-align: center;">M6</td> </tr> <tr> <td>PL00-50X-10M8-2</td> <td style="text-align: center;">M8</td> </tr> <tr> <td>PL00-50X-10M10-2</td> <td style="text-align: center;">M10</td> </tr> </tbody> </table>	Model No	Thread hole size MX	PL00-50X-10M6-2	M6	PL00-50X-10M8-2	M8	PL00-50X-10M10-2	M10																																																																																																																																																																																																														
Model No	Thread hole size MX																																																																																																																																																																																																																							
PL00-50X-10M6-2	M6																																																																																																																																																																																																																							
PL00-50X-10M8-2	M8																																																																																																																																																																																																																							
PL00-50X-10M10-2	M10																																																																																																																																																																																																																							
				△ D	<table border="1" style="width:100%; border-collapse: collapse;"> <tr> <td style="text-align: center;">DETAIL D</td> <td style="text-align: center;">DETAIL E SCALE 2 : 3</td> <td> <table border="1" style="width:100%; border-collapse: collapse;"> <thead> <tr> <th>Model No</th> <th>Thread hole size MX</th> </tr> </thead> <tbody> <tr> <td>PL00-50X-10M6-2</td> <td style="text-align: center;">M6</td> </tr> <tr> <td>PL00-50X-10M8-2</td> <td style="text-align: center;">M8</td> </tr> <tr> <td>PL00-50X-10M10-2</td> <td style="text-align: center;">M10</td> </tr> </tbody> </table> </td> </tr> </table>			DETAIL D	DETAIL E SCALE 2 : 3	<table border="1" style="width:100%; border-collapse: collapse;"> <thead> <tr> <th>Model No</th> <th>Thread hole size MX</th> </tr> </thead> <tbody> <tr> <td>PL00-50X-10M6-2</td> <td style="text-align: center;">M6</td> </tr> <tr> <td>PL00-50X-10M8-2</td> <td style="text-align: center;">M8</td> </tr> <tr> <td>PL00-50X-10M10-2</td> <td style="text-align: center;">M10</td> </tr> </tbody> </table>	Model No	Thread hole size MX	PL00-50X-10M6-2	M6	PL00-50X-10M8-2	M8	PL00-50X-10M10-2	M10																																																																																																																																																																																																						
DETAIL D	DETAIL E SCALE 2 : 3	<table border="1" style="width:100%; border-collapse: collapse;"> <thead> <tr> <th>Model No</th> <th>Thread hole size MX</th> </tr> </thead> <tbody> <tr> <td>PL00-50X-10M6-2</td> <td style="text-align: center;">M6</td> </tr> <tr> <td>PL00-50X-10M8-2</td> <td style="text-align: center;">M8</td> </tr> <tr> <td>PL00-50X-10M10-2</td> <td style="text-align: center;">M10</td> </tr> </tbody> </table>	Model No	Thread hole size MX	PL00-50X-10M6-2	M6	PL00-50X-10M8-2	M8	PL00-50X-10M10-2	M10																																																																																																																																																																																																														
Model No	Thread hole size MX																																																																																																																																																																																																																							
PL00-50X-10M6-2	M6																																																																																																																																																																																																																							
PL00-50X-10M8-2	M8																																																																																																																																																																																																																							
PL00-50X-10M10-2	M10																																																																																																																																																																																																																							
				△ D	<table border="1" style="width:100%; border-collapse: collapse;"> <tr> <td style="text-align: center;">DETAIL D</td> <td style="text-align: center;">DETAIL E SCALE 2 : 3</td> <td> <table border="1" style="width:100%; border-collapse: collapse;"> <thead> <tr> <th>Model No</th> <th>Thread hole size MX</th> </tr> </thead> <tbody> <tr> <td>PL00-50X-10M6-2</td> <td style="text-align: center;">M6</td> </tr> <tr> <td>PL00-50X-10M8-2</td> <td style="text-align: center;">M8</td> </tr> <tr> <td>PL00-50X-10M10-2</td> <td style="text-align: center;">M10</td> </tr> </tbody> </table> </td> </tr> </table>			DETAIL D	DETAIL E SCALE 2 : 3	<table border="1" style="width:100%; border-collapse: collapse;"> <thead> <tr> <th>Model No</th> <th>Thread hole size MX</th> </tr> </thead> <tbody> <tr> <td>PL00-50X-10M6-2</td> <td style="text-align: center;">M6</td> </tr> <tr> <td>PL00-50X-10M8-2</td> <td style="text-align: center;">M8</td> </tr> <tr> <td>PL00-50X-10M10-2</td> <td style="text-align: center;">M10</td> </tr> </tbody> </table>	Model No	Thread hole size MX	PL00-50X-10M6-2	M6	PL00-50X-10M8-2	M8	PL00-50X-10M10-2	M10																																																																																																																																																																																																						
DETAIL D	DETAIL E SCALE 2 : 3	<table border="1" style="width:100%; border-collapse: collapse;"> <thead> <tr> <th>Model No</th> <th>Thread hole size MX</th> </tr> </thead> <tbody> <tr> <td>PL00-50X-10M6-2</td> <td style="text-align: center;">M6</td> </tr> <tr> <td>PL00-50X-10M8-2</td> <td style="text-align: center;">M8</td> </tr> <tr> <td>PL00-50X-10M10-2</td> <td style="text-align: center;">M10</td> </tr> </tbody> </table>	Model No	Thread hole size MX	PL00-50X-10M6-2	M6	PL00-50X-10M8-2	M8	PL00-50X-10M10-2	M10																																																																																																																																																																																																														
Model No	Thread hole size MX																																																																																																																																																																																																																							
PL00-50X-10M6-2	M6																																																																																																																																																																																																																							
PL00-50X-10M8-2	M8																																																																																																																																																																																																																							
PL00-50X-10M10-2	M10																																																																																																																																																																																																																							
				△ D	<table border="1" style="width:100%; border-collapse: collapse;"> <tr> <td style="text-align: center;">DETAIL D</td> <td style="text-align: center;">DETAIL E SCALE 2 : 3</td> <td> <table border="1" style="width:100%; border-collapse: collapse;"> <thead> <tr> <th>Model No</th> <th>Thread hole size MX</th> </tr> </thead> <tbody> <tr> <td>PL00-50X-10M6-2</td> <td style="text-align: center;">M6</td> </tr> <tr> <td>PL00-50X-10M8-2</td> <td style="text-align: center;">M8</td> </tr> <tr> <td>PL00-50X-10M10-2</td> <td style="text-align: center;">M10</td> </tr> </tbody> </table> </td> </tr> </table>			DETAIL D	DETAIL E SCALE 2 : 3	<table border="1" style="width:100%; border-collapse: collapse;"> <thead> <tr> <th>Model No</th> <th>Thread hole size MX</th> </tr> </thead> <tbody> <tr> <td>PL00-50X-10M6-2</td> <td style="text-align: center;">M6</td> </tr> <tr> <td>PL00-50X-10M8-2</td> <td style="text-align: center;">M8</td> </tr> <tr> <td>PL00-50X-10M10-2</td> <td style="text-align: center;">M10</td> </tr> </tbody> </table>	Model No	Thread hole size MX	PL00-50X-10M6-2	M6	PL00-50X-10M8-2	M8	PL00-50X-10M10-2	M10																																																																																																																																																																																																						
DETAIL D	DETAIL E SCALE 2 : 3	<table border="1" style="width:100%; border-collapse: collapse;"> <thead> <tr> <th>Model No</th> <th>Thread hole size MX</th> </tr> </thead> <tbody> <tr> <td>PL00-50X-10M6-2</td> <td style="text-align: center;">M6</td> </tr> <tr> <td>PL00-50X-10M8-2</td> <td style="text-align: center;">M8</td> </tr> <tr> <td>PL00-50X-10M10-2</td> <td style="text-align: center;">M10</td> </tr> </tbody> </table>	Model No	Thread hole size MX	PL00-50X-10M6-2	M6	PL00-50X-10M8-2	M8	PL00-50X-10M10-2	M10																																																																																																																																																																																																														
Model No	Thread hole size MX																																																																																																																																																																																																																							
PL00-50X-10M6-2	M6																																																																																																																																																																																																																							
PL00-50X-10M8-2	M8																																																																																																																																																																																																																							
PL00-50X-10M10-2	M10																																																																																																																																																																																																																							
				△ D	<table border="1" style="width:100%; border-collapse: collapse;"> <tr> <td style="text-align: center;">DETAIL D</td> <td style="text-align: center;">DETAIL E SCALE 2 : 3</td> <td> <table border="1" style="width:100%; border-collapse: collapse;"> <thead> <tr> <th>Model No</th> <th>Thread hole size MX</th> </tr> </thead> <tbody> <tr> <td>PL00-50X-10M6-2</td> <td style="text-align: center;">M6</td> </tr> <tr> <td>PL00-50X-10M8-2</td> <td style="text-align: center;">M8</td> </tr> <tr> <td>PL00-50X-10M10-2</td> <td style="text-align: center;">M10</td> </tr> </tbody> </table> </td> </tr> </table>			DETAIL D	DETAIL E SCALE 2 : 3	<table border="1" style="width:100%; border-collapse: collapse;"> <thead> <tr> <th>Model No</th> <th>Thread hole size MX</th> </tr> </thead> <tbody> <tr> <td>PL00-50X-10M6-2</td> <td style="text-align: center;">M6</td> </tr> <tr> <td>PL00-50X-10M8-2</td> <td style="text-align: center;">M8</td> </tr> <tr> <td>PL00-50X-10M10-2</td> <td style="text-align: center;">M10</td> </tr> </tbody> </table>	Model No	Thread hole size MX	PL00-50X-10M6-2	M6	PL00-50X-10M8-2	M8	PL00-50X-10M10-2	M10																																																																																																																																																																																																						
DETAIL D	DETAIL E SCALE 2 : 3	<table border="1" style="width:100%; border-collapse: collapse;"> <thead> <tr> <th>Model No</th> <th>Thread hole size MX</th> </tr> </thead> <tbody> <tr> <td>PL00-50X-10M6-2</td> <td style="text-align: center;">M6</td> </tr> <tr> <td>PL00-50X-10M8-2</td> <td style="text-align: center;">M8</td> </tr> <tr> <td>PL00-50X-10M10-2</td> <td style="text-align: center;">M10</td> </tr> </tbody> </table>	Model No	Thread hole size MX	PL00-50X-10M6-2	M6	PL00-50X-10M8-2	M8	PL00-50X-10M10-2	M10																																																																																																																																																																																																														
Model No	Thread hole size MX																																																																																																																																																																																																																							
PL00-50X-10M6-2	M6																																																																																																																																																																																																																							
PL00-50X-10M8-2	M8																																																																																																																																																																																																																							
PL00-50X-10M10-2	M10																																																																																																																																																																																																																							
				△ D	<table border="1" style="width:100%; border-collapse: collapse;"> <tr> <td style="text-align: center;">DETAIL D</td> <td style="text-align: center;">DETAIL E SCALE 2 : 3</td> <td> <table border="1" style="width:100%; border-collapse: collapse;"> <thead> <tr> <th>Model No</th> <th>Thread hole size MX</th> </tr> </thead> <tbody> <tr> <td>PL00-50X-10M6-2</td> <td style="text-align: center;">M6</td> </tr> <tr> <td>PL00-50X-10M8-2</td> <td style="text-align: center;">M8</td> </tr> <tr> <td>PL00-50X-10M10-2</td> <td style="text-align: center;">M10</td> </tr> </tbody> </table> </td> </tr> </table>			DETAIL D	DETAIL E SCALE 2 : 3	<table border="1" style="width:100%; border-collapse: collapse;"> <thead> <tr> <th>Model No</th> <th>Thread hole size MX</th> </tr> </thead> <tbody> <tr> <td>PL00-50X-10M6-2</td> <td style="text-align: center;">M6</td> </tr> <tr> <td>PL00-50X-10M8-2</td> <td style="text-align: center;">M8</td> </tr> <tr> <td>PL00-50X-10M10-2</td> <td style="text-align: center;">M10</td> </tr> </tbody> </table>	Model No	Thread hole size MX	PL00-50X-10M6-2	M6	PL00-50X-10M8-2	M8	PL00-50X-10M10-2	M10																																																																																																																																																																																																						
DETAIL D	DETAIL E SCALE 2 : 3	<table border="1" style="width:100%; border-collapse: collapse;"> <thead> <tr> <th>Model No</th> <th>Thread hole size MX</th> </tr> </thead> <tbody> <tr> <td>PL00-50X-10M6-2</td> <td style="text-align: center;">M6</td> </tr> <tr> <td>PL00-50X-10M8-2</td> <td style="text-align: center;">M8</td> </tr> <tr> <td>PL00-50X-10M10-2</td> <td style="text-align: center;">M10</td> </tr> </tbody> </table>	Model No	Thread hole size MX	PL00-50X-10M6-2	M6	PL00-50X-10M8-2	M8	PL00-50X-10M10-2	M10																																																																																																																																																																																																														
Model No	Thread hole size MX																																																																																																																																																																																																																							
PL00-50X-10M6-2	M6																																																																																																																																																																																																																							
PL00-50X-10M8-2	M8																																																																																																																																																																																																																							
PL00-50X-10M10-2	M10																																																																																																																																																																																																																							
				△ D	<table border="1" style="width:100%; border-collapse: collapse;"> <tr> <td style="text-align: center;">DETAIL D</td> <td style="text-align: center;">DETAIL E SCALE 2 : 3</td> <td> <table border="1" style="width:100%; border-collapse: collapse;"> <thead> <tr> <th>Model No</th> <th>Thread hole size MX</th> </tr> </thead> <tbody> <tr> <td>PL00-50X-10M6-2</td> <td style="text-align: center;">M6</td> </tr> <tr> <td>PL00-50X-10M8-2</td> <td style="text-align: center;">M8</td> </tr> <tr> <td>PL00-50X-10M10-2</td> <td style="text-align: center;">M10</td> </tr> </tbody> </table> </td> </tr> </table>			DETAIL D	DETAIL E SCALE 2 : 3	<table border="1" style="width:100%; border-collapse: collapse;"> <thead> <tr> <th>Model No</th> <th>Thread hole size MX</th> </tr> </thead> <tbody> <tr> <td>PL00-50X-10M6-2</td> <td style="text-align: center;">M6</td> </tr> <tr> <td>PL00-50X-10M8-2</td> <td style="text-align: center;">M8</td> </tr> <tr> <td>PL00-50X-10M10-2</td> <td style="text-align: center;">M10</td> </tr> </tbody> </table>	Model No	Thread hole size MX	PL00-50X-10M6-2	M6	PL00-50X-10M8-2	M8	PL00-50X-10M10-2	M10																																																																																																																																																																																																						
DETAIL D	DETAIL E SCALE 2 : 3	<table border="1" style="width:100%; border-collapse: collapse;"> <thead> <tr> <th>Model No</th> <th>Thread hole size MX</th> </tr> </thead> <tbody> <tr> <td>PL00-50X-10M6-2</td> <td style="text-align: center;">M6</td> </tr> <tr> <td>PL00-50X-10M8-2</td> <td style="text-align: center;">M8</td> </tr> <tr> <td>PL00-50X-10M10-2</td> <td style="text-align: center;">M10</td> </tr> </tbody> </table>	Model No	Thread hole size MX	PL00-50X-10M6-2	M6	PL00-50X-10M8-2	M8	PL00-50X-10M10-2	M10																																																																																																																																																																																																														
Model No	Thread hole size MX																																																																																																																																																																																																																							
PL00-50X-10M6-2	M6																																																																																																																																																																																																																							
PL00-50X-10M8-2	M8																																																																																																																																																																																																																							
PL00-50X-10M10-2	M10																																																																																																																																																																																																																							
				△ D	<table border="1" style="width:100%; border-collapse: collapse;"> <tr> <td style="text-align: center;">DETAIL D</td> <td style="text-align: center;">DETAIL E SCALE 2 : 3</td> <td> <table border="1" style="width:100%; border-collapse: collapse;"> <thead> <tr> <th>Model No</th> <th>Thread hole size MX</th> </tr> </thead> <tbody> <tr> <td>PL00-50X-10M6-2</td> <td style="text-align: center;">M6</td> </tr> <tr> <td>PL00-50X-10M8-2</td> <td style="text-align: center;">M8</td> </tr> <tr> <td>PL00-50X-10M10-2</td> <td style="text-align: center;">M10</td> </tr> </tbody> </table> </td> </tr> </table>			DETAIL D	DETAIL E SCALE 2 : 3	<table border="1" style="width:100%; border-collapse: collapse;"> <thead> <tr> <th>Model No</th> <th>Thread hole size MX</th> </tr> </thead> <tbody> <tr> <td>PL00-50X-10M6-2</td> <td style="text-align: center;">M6</td> </tr> <tr> <td>PL00-50X-10M8-2</td> <td style="text-align: center;">M8</td> </tr> <tr> <td>PL00-50X-10M10-2</td> <td style="text-align: center;">M10</td> </tr> </tbody> </table>	Model No	Thread hole size MX	PL00-50X-10M6-2	M6	PL00-50X-10M8-2	M8	PL00-50X-10M10-2	M10																																																																																																																																																																																																						
DETAIL D	DETAIL E SCALE 2 : 3	<table border="1" style="width:100%; border-collapse: collapse;"> <thead> <tr> <th>Model No</th> <th>Thread hole size MX</th> </tr> </thead> <tbody> <tr> <td>PL00-50X-10M6-2</td> <td style="text-align: center;">M6</td> </tr> <tr> <td>PL00-50X-10M8-2</td> <td style="text-align: center;">M8</td> </tr> <tr> <td>PL00-50X-10M10-2</td> <td style="text-align: center;">M10</td> </tr> </tbody> </table>	Model No	Thread hole size MX	PL00-50X-10M6-2	M6	PL00-50X-10M8-2	M8	PL00-50X-10M10-2	M10																																																																																																																																																																																																														
Model No	Thread hole size MX																																																																																																																																																																																																																							
PL00-50X-10M6-2	M6																																																																																																																																																																																																																							
PL00-50X-10M8-2	M8																																																																																																																																																																																																																							
PL00-50X-10M10-2	M10																																																																																																																																																																																																																							
				△ D	<table border="1" style="width:100%; border-collapse: collapse;"> <tr> <td style="text-align: center;">DETAIL D</td> <td style="text-align: center;">DETAIL E SCALE 2 : 3</td> <td> <table border="1" style="width:100%; border-collapse: collapse;"> <thead> <tr> <th>Model No</th> <th>Thread hole size MX</th> </tr> </thead> <tbody> <tr> <td>PL00-50X-10M6-2</td> <td style="text-align: center;">M6</td> </tr> <tr> <td>PL00-50X-10M8-2</td> <td style="text-align: center;">M8</td> </tr> <tr> <td>PL00-50X-10M10-2</td> <td style="text-align: center;">M10</td> </tr> </tbody> </table> </td> </tr> </table>			DETAIL D	DETAIL E SCALE 2 : 3	<table border="1" style="width:100%; border-collapse: collapse;"> <thead> <tr> <th>Model No</th> <th>Thread hole size MX</th> </tr> </thead> <tbody> <tr> <td>PL00-50X-10M6-2</td> <td style="text-align: center;">M6</td> </tr> <tr> <td>PL00-50X-10M8-2</td> <td style="text-align: center;">M8</td> </tr> <tr> <td>PL00-50X-10M10-2</td> <td style="text-align: center;">M10</td> </tr> </tbody> </table>	Model No	Thread hole size MX	PL00-50X-10M6-2	M6	PL00-50X-10M8-2	M8	PL00-50X-10M10-2	M10																																																																																																																																																																																																						
DETAIL D	DETAIL E SCALE 2 : 3	<table border="1" style="width:100%; border-collapse: collapse;"> <thead> <tr> <th>Model No</th> <th>Thread hole size MX</th> </tr> </thead> <tbody> <tr> <td>PL00-50X-10M6-2</td> <td style="text-align: center;">M6</td> </tr> <tr> <td>PL00-50X-10M8-2</td> <td style="text-align: center;">M8</td> </tr> <tr> <td>PL00-50X-10M10-2</td> <td style="text-align: center;">M10</td> </tr> </tbody> </table>	Model No	Thread hole size MX	PL00-50X-10M6-2	M6	PL00-50X-10M8-2	M8	PL00-50X-10M10-2	M10																																																																																																																																																																																																														
Model No	Thread hole size MX																																																																																																																																																																																																																							
PL00-50X-10M6-2	M6																																																																																																																																																																																																																							
PL00-50X-10M8-2	M8																																																																																																																																																																																																																							
PL00-50X-10M10-2	M10																																																																																																																																																																																																																							
				△ D	<table border="1" style="width:100%; border-collapse: collapse;"> <tr> <td style="text-align: center;">DETAIL D</td> <td style="text-align: center;">DETAIL E SCALE 2 : 3</td> <td> <table border="1" style="width:100%; border-collapse: collapse;"> <thead> <tr> <th>Model No</th> <th>Thread hole size MX</th> </tr> </thead> <tbody> <tr> <td>PL00-50X-10M6-2</td> <td style="text-align: center;">M6</td> </tr> <tr> <td>PL00-50X-10M8-2</td> <td style="text-align: center;">M8</td> </tr> <tr> <td>PL00-50X-10M10-2</td> <td style="text-align: center;">M10</td> </tr> </tbody> </table> </td> </tr> </table>			DETAIL D	DETAIL E SCALE 2 : 3	<table border="1" style="width:100%; border-collapse: collapse;"> <thead> <tr> <th>Model No</th> <th>Thread hole size MX</th> </tr> </thead> <tbody> <tr> <td>PL00-50X-10M6-2</td> <td style="text-align: center;">M6</td> </tr> <tr> <td>PL00-50X-10M8-2</td> <td style="text-align: center;">M8</td> </tr> <tr> <td>PL00-50X-10M10-2</td> <td style="text-align: center;">M10</td> </tr> </tbody> </table>	Model No	Thread hole size MX	PL00-50X-10M6-2	M6	PL00-50X-10M8-2	M8	PL00-50X-10M10-2	M10																																																																																																																																																																																																						
DETAIL D	DETAIL E SCALE 2 : 3	<table border="1" style="width:100%; border-collapse: collapse;"> <thead> <tr> <th>Model No</th> <th>Thread hole size MX</th> </tr> </thead> <tbody> <tr> <td>PL00-50X-10M6-2</td> <td style="text-align: center;">M6</td> </tr> <tr> <td>PL00-50X-10M8-2</td> <td style="text-align: center;">M8</td> </tr> <tr> <td>PL00-50X-10M10-2</td> <td style="text-align: center;">M10</td> </tr> </tbody> </table>	Model No	Thread hole size MX	PL00-50X-10M6-2	M6	PL00-50X-10M8-2	M8	PL00-50X-10M10-2	M10																																																																																																																																																																																																														
Model No	Thread hole size MX																																																																																																																																																																																																																							
PL00-50X-10M6-2	M6																																																																																																																																																																																																																							
PL00-50X-10M8-2	M8																																																																																																																																																																																																																							
PL00-50X-10M10-2	M10																																																																																																																																																																																																																							
				△ D	<table border="1" style="width:100%; border-collapse: collapse;"> <tr> <td style="text-align: center;">DETAIL D</td> <td style="text-align: center;">DETAIL E SCALE 2 : 3</td> <td> <table border="1" style="width:100%; border-collapse: collapse;"> <thead> <tr> <th>Model No</th> <th>Thread hole size MX</th> </tr> </thead> <tbody> <tr> <td>PL00-50X-10M6-2</td> <td style="text-align: center;">M6</td> </tr> <tr> <td>PL00-50X-10M8-2</td> <td style="text-align: center;">M8</td> </tr> <tr> <td>PL00-50X-10M10-2</td> <td style="text-align: center;">M10</td> </tr> </tbody> </table> </td> </tr> </table>			DETAIL D	DETAIL E SCALE 2 : 3	<table border="1" style="width:100%; border-collapse: collapse;"> <thead> <tr> <th>Model No</th> <th>Thread hole size MX</th> </tr> </thead> <tbody> <tr> <td>PL00-50X-10M6-2</td> <td style="text-align: center;">M6</td> </tr> <tr> <td>PL00-50X-10M8-2</td> <td style="text-align: center;">M8</td> </tr> <tr> <td>PL00-50X-10M10-2</td> <td style="text-align: center;">M10</td> </tr> </tbody> </table>	Model No	Thread hole size MX	PL00-50X-10M6-2	M6	PL00-50X-10M8-2	M8	PL00-50X-10M10-2	M10																																																																																																																																																																																																						
DETAIL D	DETAIL E SCALE 2 : 3	<table border="1" style="width:100%; border-collapse: collapse;"> <thead> <tr> <th>Model No</th> <th>Thread hole size MX</th> </tr> </thead> <tbody> <tr> <td>PL00-50X-10M6-2</td> <td style="text-align: center;">M6</td> </tr> <tr> <td>PL00-50X-10M8-2</td> <td style="text-align: center;">M8</td> </tr> <tr> <td>PL00-50X-10M10-2</td> <td style="text-align: center;">M10</td> </tr> </tbody> </table>	Model No	Thread hole size MX	PL00-50X-10M6-2	M6	PL00-50X-10M8-2	M8	PL00-50X-10M10-2	M10																																																																																																																																																																																																														
Model No	Thread hole size MX																																																																																																																																																																																																																							
PL00-50X-10M6-2	M6																																																																																																																																																																																																																							
PL00-50X-10M8-2	M8																																																																																																																																																																																																																							
PL00-50X-10M10-2	M10																																																																																																																																																																																																																							
				△ D	<table border="1" style="width:100%; border-collapse: collapse;"> <tr> <td style="text-align: center;">DETAIL D</td> <td style="text-align: center;">DETAIL E SCALE 2 : 3</td> <td> <table border="1" style="width:100%; border-collapse: collapse;"> <thead> <tr> <th>Model No</th> <th>Thread hole size MX</th> </tr> </thead> <tbody> <tr> <td>PL00-50X-10M6-</td></tr></tbody></table></td></tr></table>			DETAIL D	DETAIL E SCALE 2 : 3	<table border="1" style="width:100%; border-collapse: collapse;"> <thead> <tr> <th>Model No</th> <th>Thread hole size MX</th> </tr> </thead> <tbody> <tr> <td>PL00-50X-10M6-</td></tr></tbody></table>	Model No	Thread hole size MX	PL00-50X-10M6-																																																																																																																																																																																																											
DETAIL D	DETAIL E SCALE 2 : 3	<table border="1" style="width:100%; border-collapse: collapse;"> <thead> <tr> <th>Model No</th> <th>Thread hole size MX</th> </tr> </thead> <tbody> <tr> <td>PL00-50X-10M6-</td></tr></tbody></table>	Model No	Thread hole size MX	PL00-50X-10M6-																																																																																																																																																																																																																			
Model No	Thread hole size MX																																																																																																																																																																																																																							
PL00-50X-10M6-																																																																																																																																																																																																																								